

DUAL PEDESTAL BEER TOWERS

PERFECTION

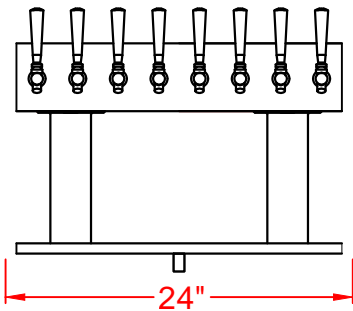


Perfection Equipment, Inc.
Perfecta Stainless Division

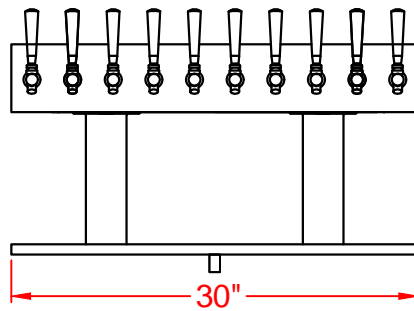


| Model Number | Finish | Faucets |
|--------------|-----------------|---------|
| PE-DPT-8-BR | Brass | 8 |
| PE-DPT-8-CH | Chrome | 8 |
| PE-DPT-8-SS | Stainless Steel | 8 |
| PE-DPT-10-BR | Brass | 10 |
| PE-DPT-10-CH | Chrome | 10 |
| PE-DPT-10-SS | Stainless Steel | 10 |
| PE-DPT-12-BR | Brass | 12 |
| PE-DPT-12-CH | Chrome | 12 |
| PE-DPT-12-SS | Stainless Steel | 12 |

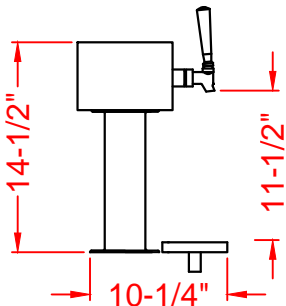
*Powder coating and PVD finishes available



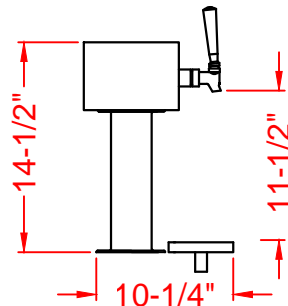
**PE-DPT-8
FRONT VIEW**



**PE-DPT-10 FRONT VIEW
PE-DPT-12 SAME
DIMENSIONS**



**PE-DPT-8
SIDE VIEW**



**PE-DPT-10 SIDE VIEW
PE-DPT-12 SAME
DIMENSIONS**

STANDARD FEATURES

- Constructed of 304 stainless steel
- No. 4 finish
- Fabricated for use with remote glycol, air-cooled or direct draw system.
- BPA and PVC free anti-microbial product lines
- Chrome plated U.S. style faucet with brass body and shank.
(handles not included)
- Includes all mounting hardware

OPTIONS

- 304 Stainless Steel faucets and shanks for beer, wine, water cocktails and liquor dispensing applications
- U.S. or European style faucets with or without flow controls
- Faucet handles and faucet locks
- Illuminated tap markers
- Powder coated finishes available
- Custom sizes available: Submit your own design or have us design one around your needs

RECOMMENDED DRIP TRAY

Standard - 24" x 5" x 3/4" Surface Mount. (8 faucet)
Standard - 30" x 5" x 3/4" Surface Mount. (10-12 faucet)



Shown Stainless Steel Drip Tray
(Standard)



PERFECTION Equipment, Inc.

4259 Lee Avenue, Gurnee, Illinois 60031, Phone: 847-244-7200, Fax: 847-244-7205, Toll Free: 800-356-6301
Website: www.perfectequip.com Mail to: sales@perfectequip.com

Rev. 08/28/19