

## MOBILE CONDIMENT CART

# PERFECTION



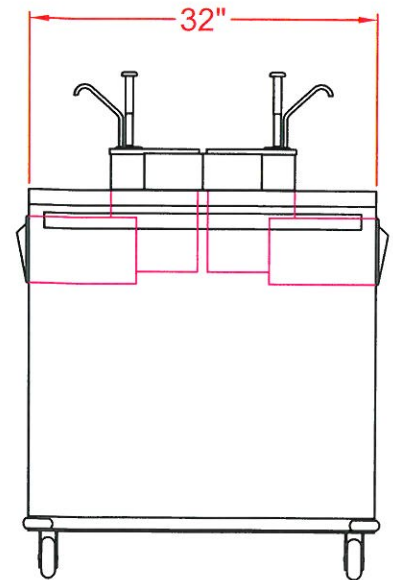
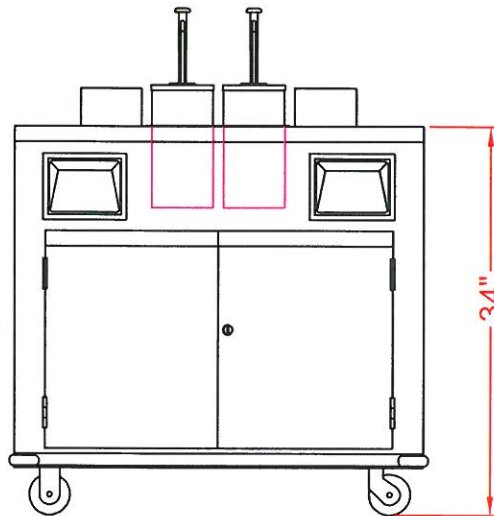
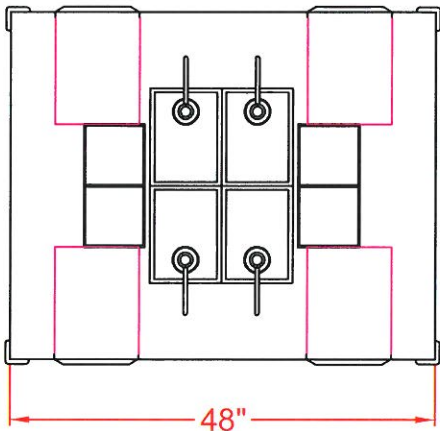
Perfection Equipment, Inc.  
Perfecta Stainless Division

## MODEL# UC2P4QS-CT CUSTOM



### FEATURES

- ALL STAINLESS STEEL CONSTRUCTION
- 6 GALLON CONDIMENT CAPACITY FROM (4) 1.5-GALLON CRYOVAC BAGS
- (4) RECESSED PERFECTA QUICK SERVE UNITS WITH CRYOVAC FITTING AND HINGED STAINLESS STEEL MOUNTING BOX
- PRODUCT LABELS (to be determined)
- (4) IN-COUNTER NAPKIN DISPENSERS
- (2) 2-COMPARTMENT KONDI-KEEPERS
- FULL CORNER BUMPERS
- LOCKING ACCESS DOORS
- (4) CASTERS (2-SWIVEL/2-FIXED).
- ADA COMPLIANT



### SERVICE AVAILABLE FROM NATIONAL NETWORK

- Service Agencies Established and Trained
- Service Agencies Available where You need them and when You want them



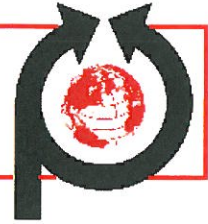
PERFECTION Equipment, Inc.

4259 Lee Avenue, Gurnee, Illinois 60031 Phone: 847-244-7200 Fax: 847-244-7205 Toll Free: 800-356-6301  
Website: [www.perfectequip.com](http://www.perfectequip.com) Email: [sales@perfectequip.com](mailto:sales@perfectequip.com)



# PERFECTA QUICK-SERVE (MANUAL HAND PUMP)

# PERFECTION



Perfection Equipment, Inc.  
Perfecta Stainless Division



PP1000 HAND PUMP SHOWN WITH  
1 1/2-GALLON CRYOVAC BAG



SHOWN IN LOADING POSITION

## DESCRIPTION

To Be Used With 1 1/2-Gallon Cryovac Product Bag  
Perfecta Quick-Serve, Includes – PP1000 Hand Pump, Bag Fitting and Stainless Steel Box  
Hinged Top And Front for Easy Loading of Bag

## PERFORMANCE

Product: Smooth Sauces, No Particulate  
1/2 Ounce Portion Every Pump  
No Disassembly Required For Sanitizing (**Clean-in-Place**)  
No Drip Spout

## INSTALLATION

To Be Mounted on Top of Counter or Recessed Into Counter  
6 1/4" Wide x 8 1/4" Deep Cut-Out Required to Recess Into Counter

Approximate Ship Weight: 10 pounds

Key Chemical Tested and NSF Approved for Condiments and Dairy Products



## PERFECTION Equipment, Inc.

4259 Lee Avenue, Gurnee, Illinois 60031 Phone: 847-244-7200 Fax: 847-244-7205 Toll Free: 800-356-6301  
Website: [www.perfectequip.com](http://www.perfectequip.com) Email: [sales@perfectequip.com](mailto:sales@perfectequip.com)

M:\Cut Sheet