

MODEL UC2P2PT-CT34
MOBILE CONDIMENT CART
FOR ELEMENTARY SCHOOLS

PERFECTION



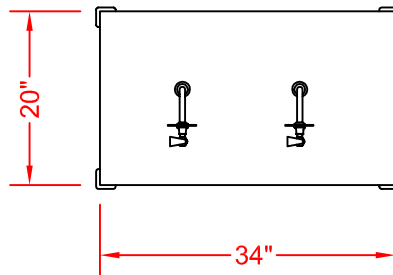
Perfection Equipment, Inc.
Perfecta Stainless Division



FEATURES

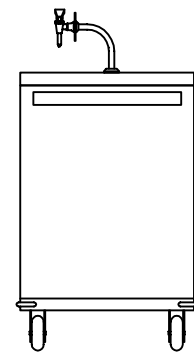
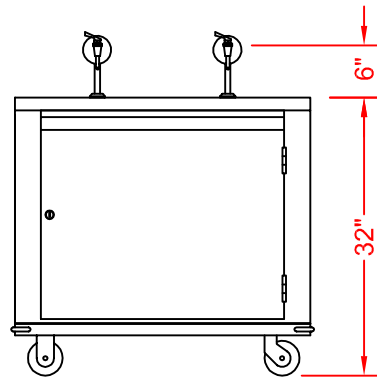
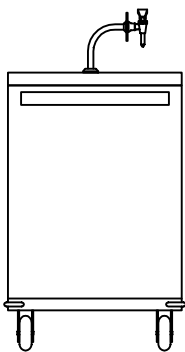
- 2-Product PT-1 Dispensers
- 6 Gallon Capacity (Two 3-Gallon Bags)
- Two Locking Casters - Two Fixed Casters
- All Stainless Steel Construction
- Round Product Labels (2)
- Bag Connectors (2)
- Plastic Saddles, Pump, Low Pressure Regulators, and Bag Connectors to be Pre-Fabricated and Mounted on Stainless Steel Fixed Panel.
- System comes complete with all necessary tubing and ancillary components for a complete installation.
- This includes a **Clean-in-Place** kit

Shown with optional Napkin Dispenser, Kondi-Keeper® & Souffle' Cup Dispenser



OPTIONS

- Napkin Dispenser
- Kondi-Keeper®
- Souffle Cup Dispenser



SERVICE AVAILABLE FROM NATIONAL NETWORK

- Service Agencies Established and Trained
- Service Agencies Available where You need them and when You want them



PERFECTION Equipment, Inc.

4259 Lee Avenue, Gurnee, Illinois 60031 Phone: 847-244-7200 Fax: 847-244-7205
Toll Free: 800-356-6301 Website: www.perfectequip.com Email: sales@perfectequip.com

