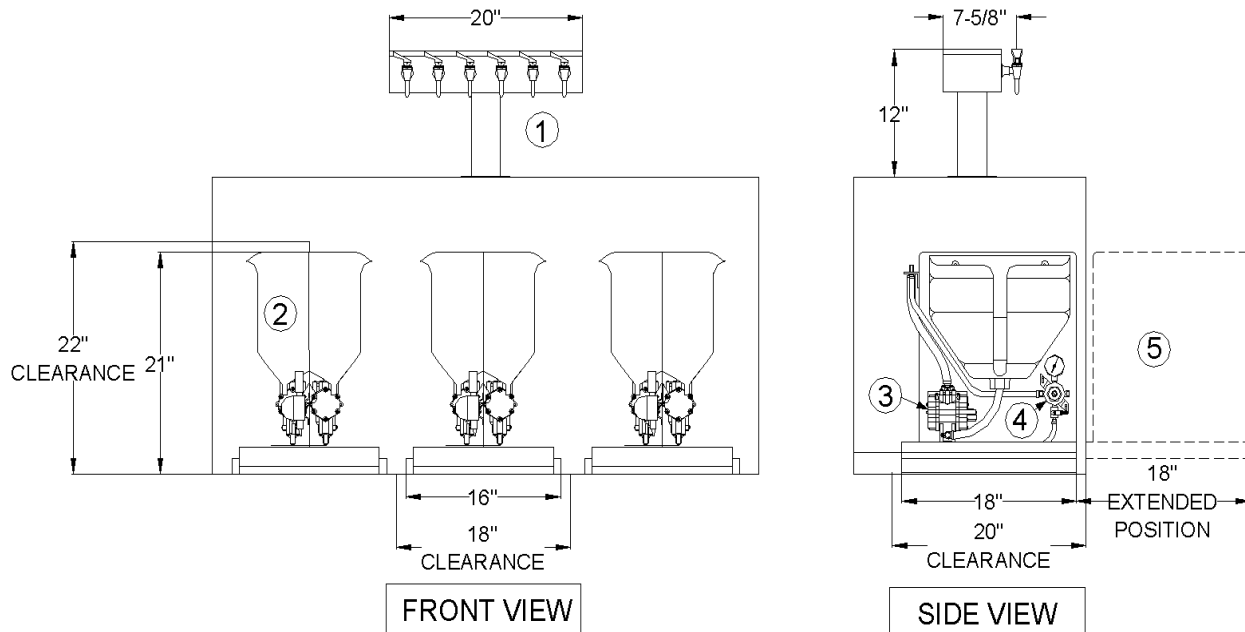


## UNDER – COUNTER CONDIMENT SYSTEM MODEL UC6P1TT

# PERFECTION



Perfection Equipment, Inc.  
Perfecta Stainless Division



## SECURE CRADLES TO CABINET FLOOR

### NUMBERS REFER TO DRAWING

1. Stainless Steel 'T' TOWER with (6) Sureshot dispensing faucets (1)
2. Plastic 3-Gallon Product saddles (6)
3. Condiment Pump (6)
4. Low Pressure regulator (6)
5. Outline of Cradle in Extended Position

### SYSTEM ALSO INCLUDES

Round Product Labels (6)

Bag Connectors (6)

Plastic Saddles, Pumps, Low Pressure Regulators, and Bag Connectors to be Pre-fabricated and mounted on (3) 2-product Stainless Steel slide out cradles with 18" slides. System comes complete with all necessary tubing and ancillary components for a complete installation. This includes a **Clean-In-Place** kit.

### SERVICE AVAILABLE FROM A NATIONAL NETWORK

- Service Agencies Established and Trained
- Service Agencies Available Where You Need Them And When You Want Them



PERFECTION Equipment, Inc.

4259 Lee Avenue, Gurnee, Illinois 60031 Phone: 847-244-7200 Fax: 847-244-7205 Toll Free: 800-356-6301  
Website: [www.perfectequip.com](http://www.perfectequip.com) Email: [sales@perfectequip.com](mailto:sales@perfectequip.com)

