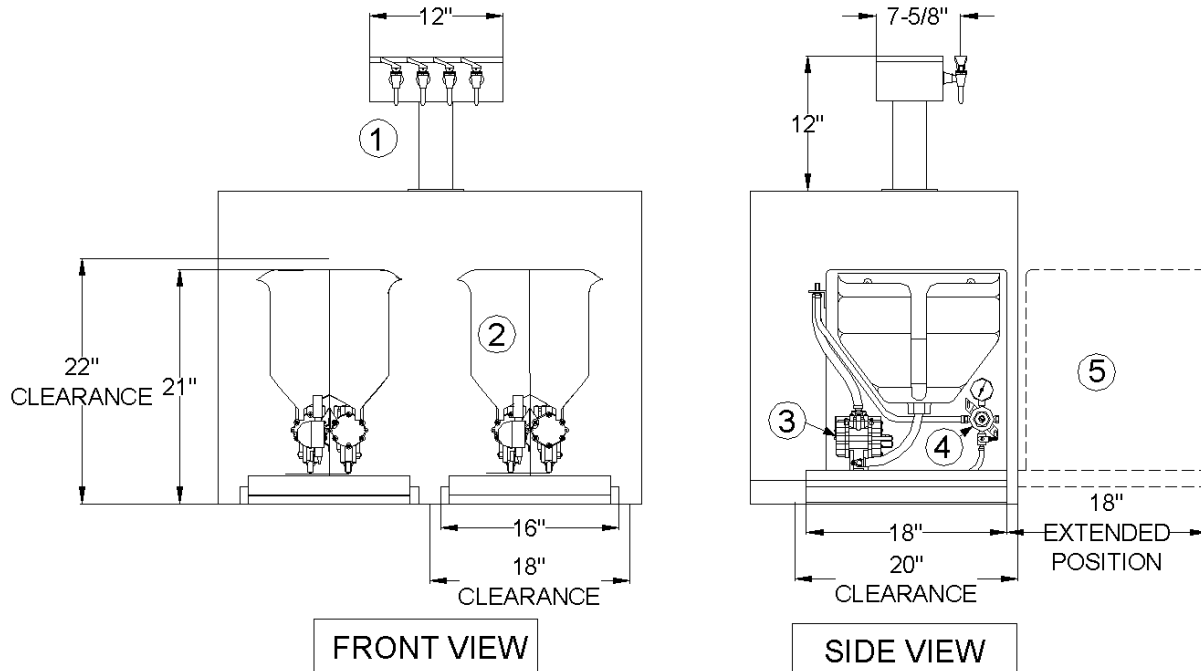


## UNDER-COUNTER CONDIMENT SYSTEM MODEL UC4P1TT

# PERFECTION



Perfection Equipment, Inc.  
Perfecta Stainless Division



## SECURE CRADLES TO CABINET FLOOR

### NUMBERS REFER TO DRAWING

1. Stainless Steel 'T' Tower Dispenser with (4) Sureshot dispensing faucet (1)
2. Plastic 3-Gallon Product saddle (4)
3. Condiment Pump (4)
4. Low Pressure regulator (4)
5. Outline of Cradle in Extended Position

### SYSTEM ALSO INCLUDES

Round Product Labels (4)

Bag Connectors (4)

Plastic Saddles, Pumps, Low Pressure Regulators, and Bag Connectors to be Pre-fabricated and mounted on (2) 2-product Stainless Steel slide out cradles with 18" slides. System comes complete with all necessary tubing and ancillary components for a complete installation. This includes a **Clean-In-Place** kit.

### SERVICE AVAILABLE FROM A NATIONAL NETWORK

- Service Agencies Established and Trained
- Service Agencies Available Where You Need Them And When You Want Them



PERFECTION Equipment, Inc.

4259 Lee Avenue, Gurnee, Illinois 60031 Phone: 847-244-7200 Fax: 847-244-7205 Toll Free: 800-356-6301  
Website: [www.perfectequip.com](http://www.perfectequip.com) Email: [sales@perfectequip.com](mailto:sales@perfectequip.com)

