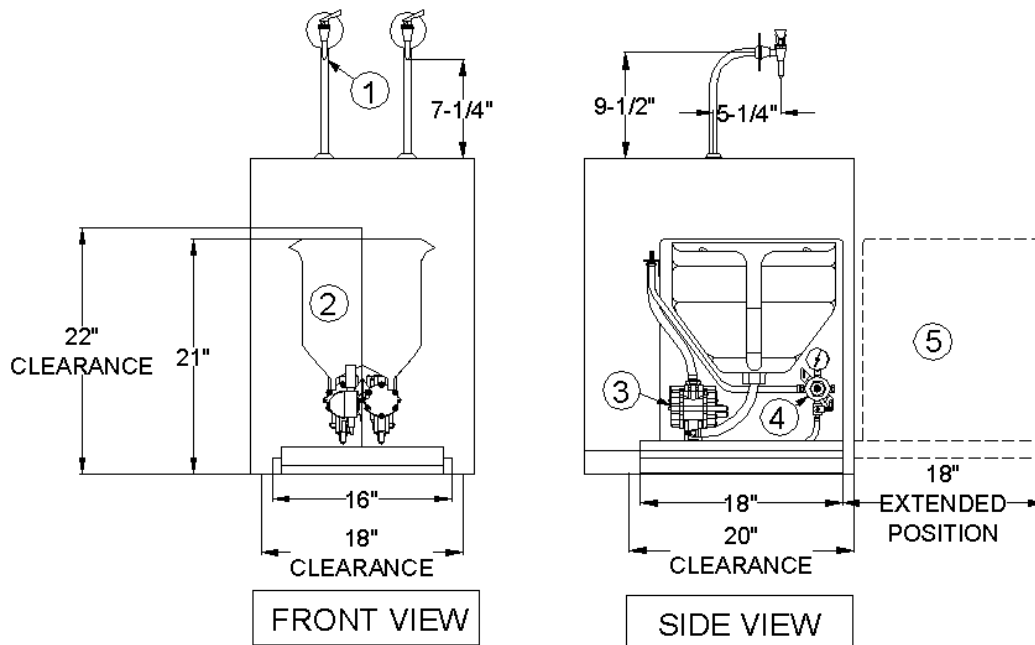


**UNDER-COUNTER CONDIMENT  
SYSTEM MODEL UC2P2PT**

**PERFECTION**



**Perfection Equipment, Inc.  
Perfecta Stainless Division**



**SECURE CRADLES TO CABINET FLOOR**

**NUMBERS REFER TO DRAWING**

1. PT-1 9-1/2" Stainless Steel Gooseneck Dispenser with (1) Sureshot dispensing faucet. (2)
2. Plastic 3-Gallon Product saddles (2)
3. Condiment Pump (2)
4. Low Pressure regulator (2)
5. Outline of Cradle in Extended Position

**SYSTEM ALSO INCLUDES**

Round Product Labels (2)

Bag Connectors (2)

Plastic Saddles, Pumps, Low Pressure Regulators, and Bag Connectors to be Pre-fabricated and mounted on (2) 2-product Stainless Steel slide out cradle with 18" slides. System comes complete with all necessary tubing and ancillary components for a complete installation. This includes a **Clean-In-Place** kit.

**SERVICE AVAILABLE FROM A NATIONAL NETWORK**

- Service Agencies Established and Trained
- Service Agencies Available Where You Need Them And When You Want Them



**PERFECTION** Equipment, Inc.

4259 Lee Avenue, Gurnee, Illinois 60031

Phone: 847-244-7200 Fax: 847-244-7205 Toll Free: 800-356-6301

Website: [www.perfectequip.com](http://www.perfectequip.com) Email: [sales@perfectequip.com](mailto:sales@perfectequip.com)

