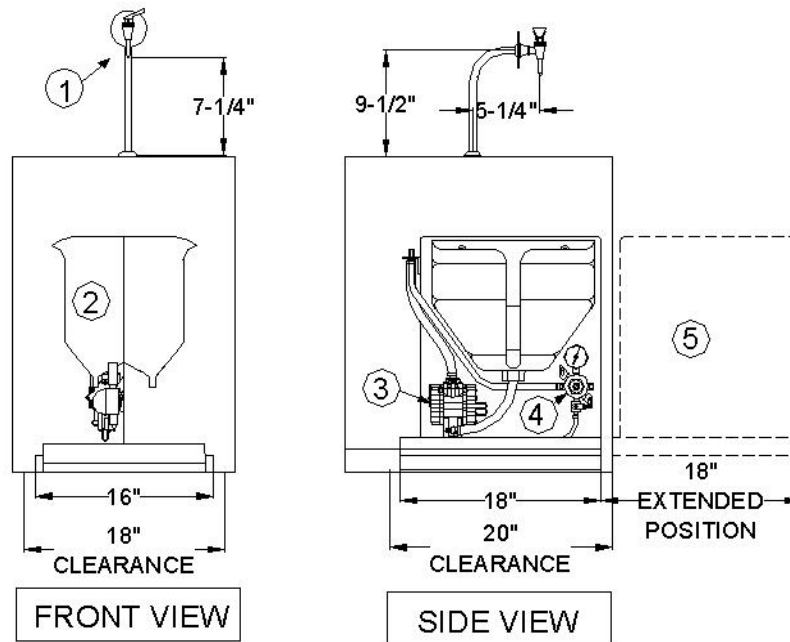


**UNDER-COUNTER CONDIMENT
SYSTEM MODEL UC1P1PT**

PERFECTION



Perfection Equipment, Inc.
Perfecta Stainless Division



SECURE CRADLES TO CABINET FLOOR

NUMBERS REFER TO DRAWING

1. PT-1 Dispenser with Sureshot dispensing faucet. (1)
2. Plastic 3-Gallon Product saddles (2)
3. Condiment Pump (1)
4. Low Pressure regulator (1)
5. Outline of Cradle in Extended Position

SYSTEM ALSO INCLUDES

- Round Product Labels (1) Bag Connectors (2)
Manual Changeover Valve (1)

Plastic Saddles, Pump, Low Pressure Regulators, and Bag Connectors to be Pre-fabricated and mounted on a 2-bag Stainless Steel slide out cradle with 18" slides. System comes complete with all necessary tubing and ancillary components for a complete installation. This includes a **Clean-In-Place** kit.

SERVICE AVAILABLE FROM A NATIONAL NETWORK

- Service Agencies Established and Trained
- Service Agencies Available Where You Need Them And When You Want Them



PERFECTION Equipment, Inc.
4259 Lee Avenue, Gurnee, Illinois 60031
Phone: 847-244-7200 Fax: 847-244-7205 Toll Free: 800-356-6301
Website: www.perfectequip.com Email: sales@perfectequip.com

