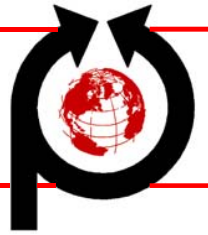


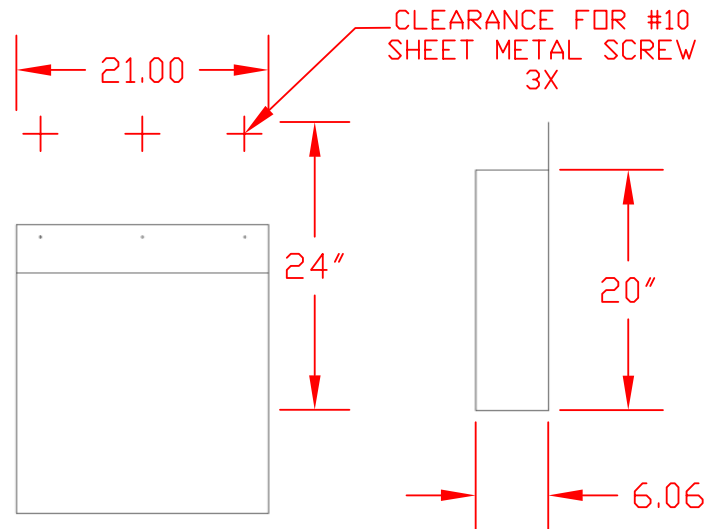
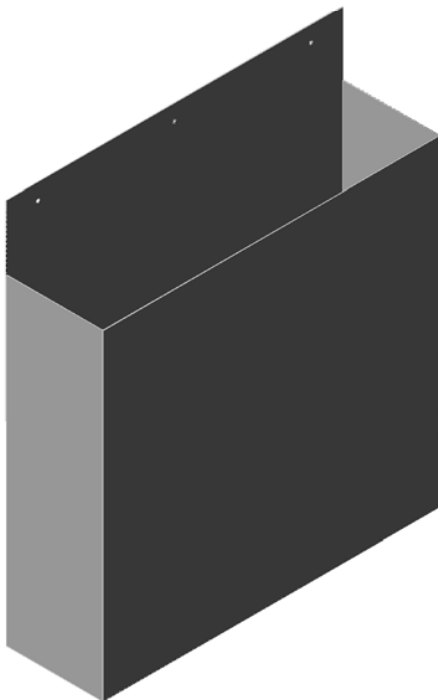
# CUP HOLDER

# PERFECTION



Perfection Equipment, Inc.  
Perfecta Stainless Division

PART #:  
**PE-PCH-21**



- DESIGNED TO ATTACH TO THE FRONT OF UNDERBAR EQUIPMENT WITH SHEET METAL SCREWS.
- CUSTOM SIZING AVAILABLE TO ACCOMMODATE CUSTOMER REQUIREMENTS.
- MADE OF 22GA STAINLESS STEEL



**PERFECTION Equipment, Inc.**

4259 Lee Avenue, Gurnee, Illinois 60031

Phone: 847-244-7200 Fax: 847-244-7205 Toll Free: 800-356-6301

Website: [www.perfectequip.com](http://www.perfectequip.com) Email: [sales@perfectequip.com](mailto:sales@perfectequip.com)