

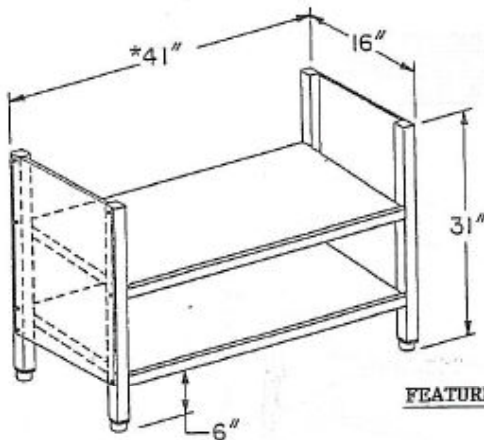
UNDER - COUNTER
BAG - IN - BOX SYRUP RACK

PERFECTION



Perfection Equipment, Inc.
Perfecta Stainless Division

UNDERCOUNTER
BAG-IN-BOX SYRUP RACKS

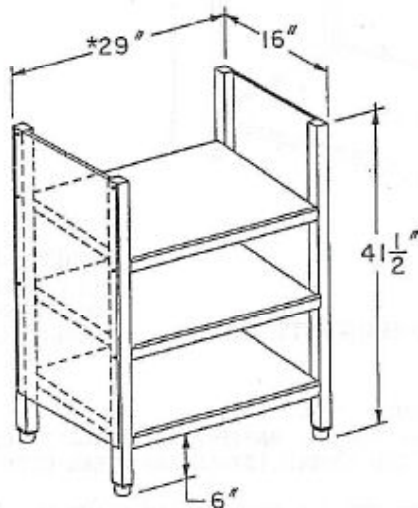


MODEL PE-6/2-BIB/UC

*ADDITIONAL SPACE REQUIRED FOR PUMPS, COMPRESSOR AND/OR CO² CANNISTERS.

FEATURES:

- ° MOUNTING PANELS FOR BAG-IN-BOX PUMPS.
- ° STANDARD GALVANIZED SHELVES AND PANELS (STAINLESS STEEL OPTIONAL, ADD S/S TO PART NUMBER).
- ° UPRIGHT POSTS AND SHELVING FRAMES ARE FINISHED IN BLACK NO-MAR POLYCOAT.



MODEL PE-6/3-BIB/UC

*ADDITIONAL SPACE REQUIRED FOR PUMPS, COMPRESSOR AND/OR CO² CANNISTERS.



PERFECTION Equipment, Inc.

4259 Lee Avenue, Gurnee, Illinois 60031 • Phone: 847-244-7200 • Fax: 847-244-7205 • Toll Free: 800-356-6301
www.perfectequip.com • info@perfectequip.com

