

HEAVY DUTY GLASSWARE / BUSSING CART

PERFECTION



Perfection Equipment, Inc.
Perfecta Stainless Division



Model: PE-2020

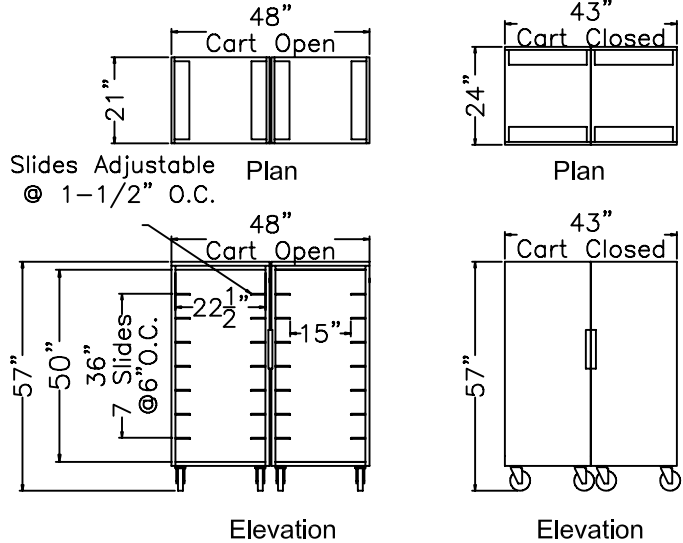
FEATURES

- **Unique Fully Adjustable Tray Slide**
Universally Adjustable at 1-1/2" spacing
Easily Removable without tools
Sanitary Design
- Accommodate 20" x 20" Glass Racks by any height.
- Accommodate 20" x 20" Max. x any height Bussing Tub.
- Accommodate 20" x 15" Glass Trays.
- 18 Ga. Stainless Steel welded construction.
- Top of cart section turned up on three sides (Additional Capacity).
- Extra heavy duty, die formed, split piano hinge type with long Stainless Steel pin which securely fastens to sides of each cart.
- In "Locked" position carts are closed face to face, making each pair of carts "Totally Enclosed".
- All sections are interchangeable.... each section will interlock with any other section.
- Each cart section has heavy duty rubber, formed corner bumpers Standard 5" dia. casters, wide tread, all swivel, four (4) per section with eight (8) per cart, all casters welded to stainless steel heavy duty bottom plate.
- Cart comes Standard with 12 Pairs of Angle Slides total (6 Pairs per Cabinet),
- Additional Angle Slides Available.
- Security Lockable Cart, Lock by others.
- Custom Sizes Available Contact Perfection Equipment for Details.
- Optional Push Pull Bars.

NOTE:

- Glass Racks and Bussing Tubs Not Included.

BUSS TUB CAPACITY	QTY.
20" x 15" X 3" Buss Box	20 Tubs
20" x 15" X 5" Buss Box	16 Tubs
20" x 15" X 7" Buss Box	12 Tubs



Model: PE-2020

GLASS RACK CAPACITY	QTY.
20" x 20" x 2-13/16" Glass Rack	32 Racks
20" x 20" x 3-1/4" Glass Rack	20 Racks
20" x 20" x 4-13/16" Glass Rack	16 Racks
20" x 20" x 6-1/4" Glass Rack	12 Racks
20" x 20" x 8-1/2" Glass Rack	10 Racks
20" x 20" x 9-1/16" Glass Rack	8 Racks



PERFECTION Equipment, Inc.

4259 Lee Avenue, Gurnee, Illinois 60031, Phone: 847-244-7200, Fax: 847-244-7205, Toll Free: 800-356-6301
Web Site: www.perfectequip.com, E-Mail: info@perfectequip.com

M:\Cut Sheets\Perfecta\Glassware Cart.pdf - 05/09/06

