

TUBULAR "T" BEER TOWERS

PERFECTION



Perfection Equipment, Inc.
Perfecta Stainless Division



Model Number	Finish	Faucets
PE-TTT-4-BR	Brass	4
PE-TTT-4-CH	Chrome	4
PE-TTT-4-SS	Stainless Steel	4
PE-TTT-6-BR	Brass	6
PE-TTT-6-CH	Chrome	6
PE-TTT-6-SS	Stainless Steel	6

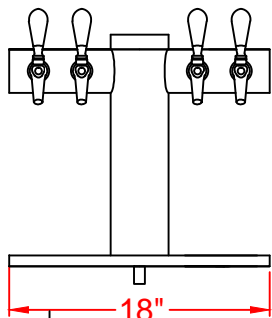
*Powder coating and PVD finishes available

STANDARD FEATURES

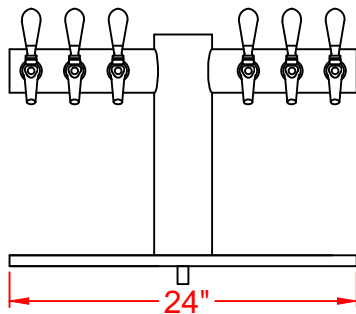
- Constructed of 304 stainless steel
- No. 4 finish
- Fabricated for use with remote glycol, air-cooled or direct draw system.
- BPA and PVC free anti-microbial product lines
- Chrome plated U.S. style faucet with brass body and shank.
(handles not included)
- Includes all mounting hardware

OPTIONS

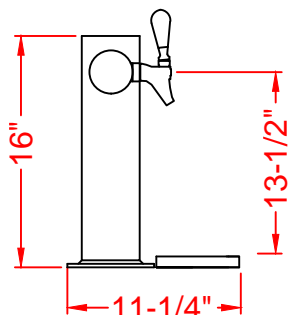
- 304 Stainless Steel faucets and shanks for beer, wine, water cocktails and liquor dispensing applications
- U.S. or European style faucets with or without flow controls
- Faucet handles and faucet locks
- Illuminated tap markers
- Powder coated finishes available
- Custom sizes available: Submit your own design or have us design one around your needs



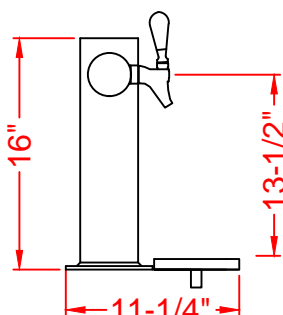
**PE-TTT-4
FRONT VIEW**



**PE-TTT-6
FRONT VIEW**



**PE-TTT-4
SIDE VIEW**



**PE-TTT-6
SIDE VIEW**

RECOMMENDED DRIP TRAY

Standard - 18" x 5" x 3/4" Surface Mount. (4 faucet)
Standard - 24" x 5" x 3/4" Surface Mount. (6 faucet)



Shown Stainless Steel Drip Tray
(Standard)



PERFECTION Equipment, Inc.

4259 Lee Avenue, Gurnee, Illinois 60031, Phone: 847-244-7200, Fax: 847-244-7205, Toll Free: 800-356-6301
Website: www.perfectequip.com Mail to: sales@perfectequip.com

