

MODEL RA-150 RECIRCULATING, HIGH CAPACITY WATER CHILLER

PERFECTION



Perfection Equipment, Inc.
Perfecta Stainless Division



UNIQUE HORSEPOWER FEATURE

The sealed refrigeration system utilizes a unique hot gas control principle which removes heat only as required. The unit actually varies its BTU extraction capacity to the load. Even though a 1.5 horsepower compressor is part of the system it is controlled so that it can be applied to a 1/4 horsepower load. The Model RA-150, in effect, varies its horsepower to match the requirements of the system. The RA-150 Potable Water Chiller can solve all your cold water problems. Due to its unique UltraChill™ technology, eliminate labor-intensive pre-mix juice systems. In fact it can do several of these things simultaneously. Its recirculating feature allows the flexibility to serve multiple units with one RA-150 on a maximum circuit of 500 feet. The result is greater flexibility at a significant savings!

CONSTANT TEMPERATURE

- No Differential
- Stable Water Conditions . . . no rise and fall in Water Temperature
- Regulation of Temperature (±) 1/8°F

LONG LINE RUNS

- Up to 500 feet
- Juice Systems - RA-150 can be used to refrigerate and recirculate water through remote lines to dispense post-mix juice products.
- RA-150 can provide chilled water for Bakery applications.

OPTIONS

- High Flow Water Filter System.
- Water Booster Pumps.
- Insulated Reserve Tanks (150 Gallon Max.).

CONSTANT RUNNING COMPRESSOR

- Longer Compressor Life

REFRIGERATION SYSTEM

Includes a 1.5 horsepower continuous running compressor. An externally equalized thermostatic expansion valve (TXV) controls the flow of liquid refrigerant into the evaporator. A hot gas bypass valve (HGB) controls the refrigerant affect and adjusts the unit's horsepower to the load.

SHORT FORM SPECIFICATION:

Shall be Perfection Model RA-150, patented, variable horsepower, sealed remote potable water systems, air-cooled or water cooled, 208/230 volt, 60 Hz, single phase, 30.0 amp Breaker, or 220/240 volt, 50 Hz, single phase, 30.0 amp Breaker, 1.5 H.P., 250 GPH Circulating Pump.

SERVICE AVAILABLE FROM NATIONAL NETWORK

- Service Agencies Established and Trained
- Service Agencies Available where You need them and when You want them



PERFECTION Equipment, Inc.

4259 Lee Avenue, Gurnee, Illinois 60031, Phone: 847-244-7200, Fax: 847-244-7205, Toll Free: 800-356-6301

M:\Cut Sheets\BEVERAGE\Water Chiller\RA-150.pdf - 10/17/05

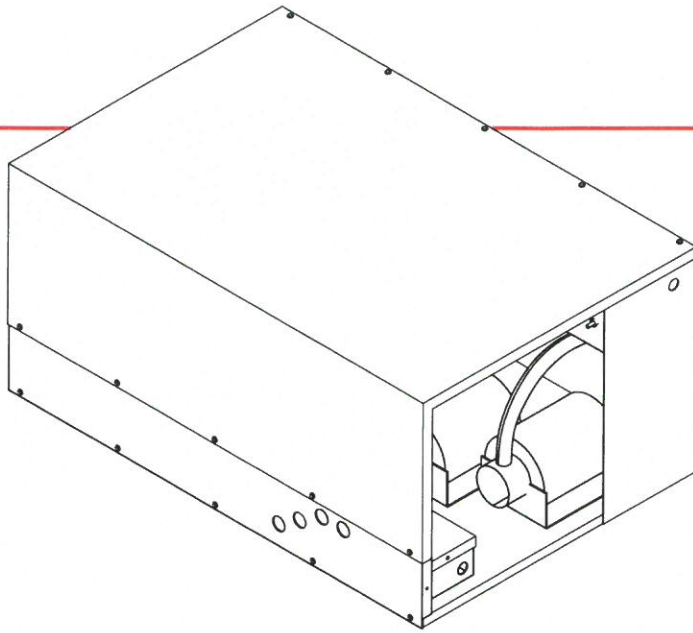




PERFECTION

Perfection Equipment, Inc.
 Perfecta Stainless Division

MODEL RA-150 RECIRCULATING, HIGH CAPACITY WATER CHILLER



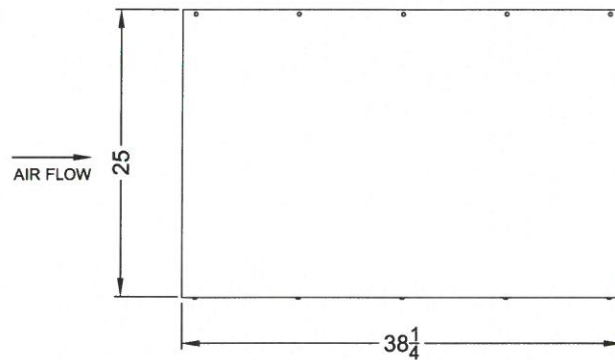
PLUMBING

Water-Cooled Units provide a separate 3/4" I.P.S. valved cold water with a 3/4" F.P.T. connector and a 1-1/2" waste line, or cooling tower supply and return lines.

WATER-COOLED UNITS

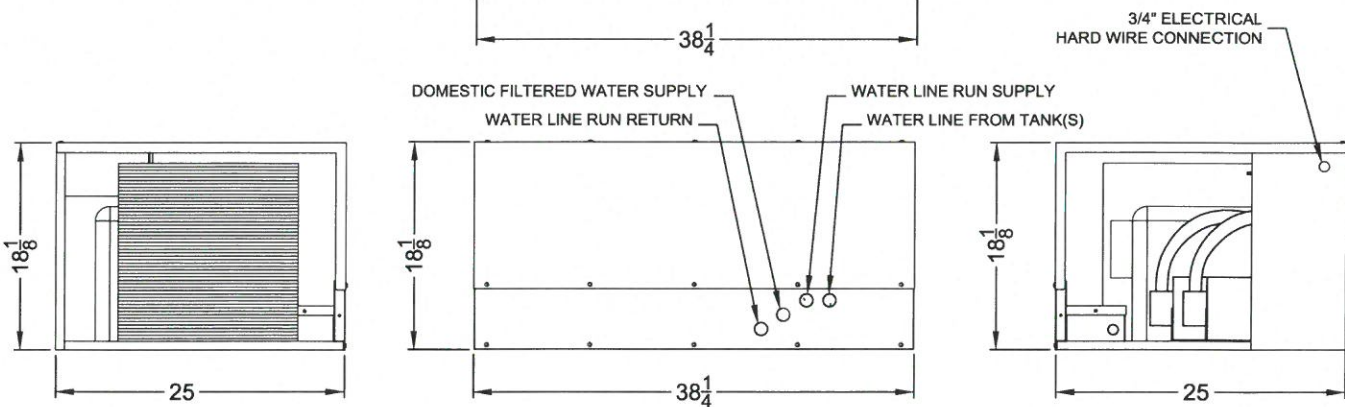
Water Usage in G.P.M. for Condenser
 Model RA-150
 Idle load 3.3 Gallon @ 45°F. Suction

CONNECTION KIT INCLUDED



ELECTRICAL

- 208/230 Volt, 60 Cycle, Single Phase
30.0 amp, Breaker, Dedicated Circuit
- 220/240 Volt, 50 Cycle, Single Phase
30.0 amp, Breaker, Dedicated Circuit



POWER PACK

RATED

AMP Load

VENTILATION AIR-COOLED UNITS

Air-Cooled	208/230 Volt, 30.0 amp	16.8 amps
Water-Cooled	208/230 Volt, 30.0 amp	15.5 amps
Air-Cooled	220/240 Volt, 30.0 amp	15.9 amps
Water-Cooled	220/240 Volt, 30.0 amp	14.7 amps

Heat of Rejection 22,000 BTU/Hour.
 Install in well ventilated area with ambient not to exceed 85°F.

SHIPPING INFO

Shipping Weight 350 lbs.



PERFECTION Equipment, Inc.

4259 Lee Avenue, Gurnee, Illinois 60031, Phone: 847-244-7200, Fax: 847-244-7205, Toll Free: 800-356-6301

