

MODEL RA-34 RECIRCULATING, CONSTANT-TEMP, POTABLE WATER CHILLER

PERFECTION



Perfection Equipment, Inc.
Perfecta Stainless Division



UNIQUE HORSEPOWER FEATURE

The sealed refrigeration system utilizes a unique hot gas control principle which removes heat only as required. The unit actually varies its BTU extraction capacity to the load. Even though a 3/4 horsepower compressor is part of the system it is controlled so that it can be applied to a 1/4 horsepower load. The Model RA-34, in effect, varies its horsepower to match the requirements of the system. The RA-34 Potable Water Chiller can solve all your cold water problems. Due to its unique UltraChill™ technology, it can improve ice machine output, eliminate labor-intensive pre-mix juice systems and enhance soda quality and production. In fact it can do several of these things simultaneously. Its recirculating feature allows the flexibility to serve multiple units with one RA-34 on a maximum circuit of 500 feet. The result is greater flexibility at a significant savings!

CONSTANT TEMPERATURE

- No Differential
- Stable Water Conditions no rise and fall in Water Temperature
- Regulation of Temperature (±) 1/8°F

LONG LINE RUNS

- Up to 500 feet
- Ice Machines - RA-34 increases ice machine efficiency and production of ice by 70% by pre-chilling water used by the ice machine, RA-34 can support up to 3,000 pounds of daily ice production with a 90°F incoming water supply.
- Juice Systems - RA-34 can be used to refrigerate and recirculate water through remote lines to dispense post-mix juice products.
- Soda Systems - RA-34 can refrigerate both the cold plate and the soda system.

CONSTANT RUNNING COMPRESSOR

- Longer Compressor Life
- Self-Starting after Power Failure

REFRIGERATION SYSTEM

Includes a 3/4 horsepower continuous running compressor. An externally equalized thermostatic expansion valve (TXV) controls the flow of liquid refrigerant into the evaporator. A hot gas bypass valve (HGB) controls the refrigerant affect and adjusts the unit's horsepower to the load.

SHORT FORM SPECIFICATION:

Shall be Perfection Model RA-34, patented, variable horsepower, sealed remote potable water systems, air-cooled or water cooled, 115 volt, 60 Hz, single phase, 35.0 amp Breaker, or 208/230 volt, 60 Hz, single phase, 15.0 amp Breaker, or 220/240 volt, 50 Hz, single phase, 15.0 amp Breaker, 3/4 H.P.

SERVICE AVAILABLE FROM NATIONAL NETWORK

- Service Agencies Established and Trained
- Service Agencies Available where You need them and when You want them

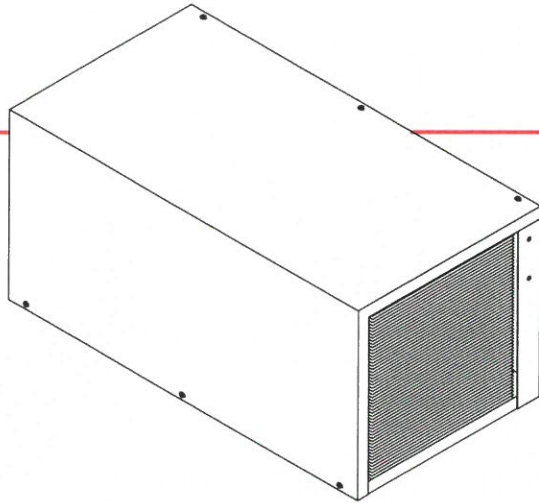


PERFECTION Equipment, Inc.

4259 Lee Avenue, Gurnee, Illinois 60031, Phone: 847-244-7200, Fax: 847-244-7205, Toll Free: 800-356-6301

M:\Cut Sheets\BEVERAGE\Water Chiller\RA-34.pdf - 10/17/05





PERFECTION



Perfection Equipment, Inc.
 Perfecta Stainless Division

MODEL RA-34 RECIRCULATING, CONSTANT-TEMP, POTABLE WATER CHILLER

PLUMBING

Water-Cooled Units provide a separate 1/2" I.P.S. valved cold water with a 1/2" F.P.T. connector and a 1-1/2" waste line, or cooling tower supply and return lines. (Optional 3/4" cold water supply)

WATER-COOLED UNITS

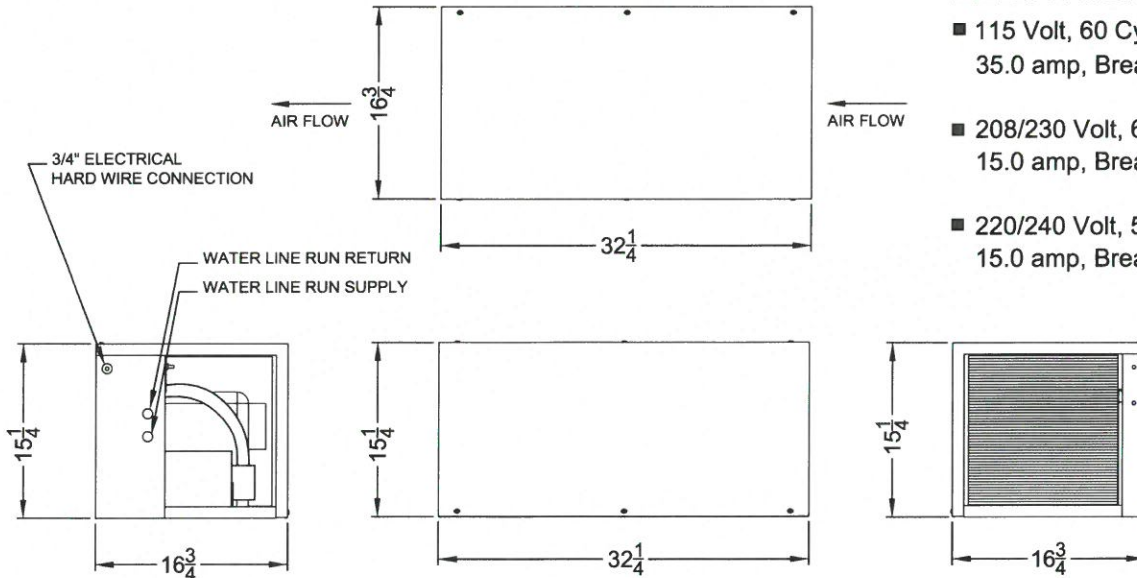
Water Usage in G.P.M. for Condenser
 Model RA-34
 Idle load .35 Gallons @ 50°F. Suction

ELECTRICAL

- 115 Volt, 60 Cycle, Single Phase
 35.0 amp, Breaker, Dedicated Circuit
- 208/230 Volt, 60 Cycle, Single Phase
 15.0 amp, Breaker, Dedicated Circuit
- 220/240 Volt, 50 Cycle, Single Phase
 15.0 amp, Breaker, Dedicated Circuit

CONNECTION KIT INCLUDED

- Three (3) 3/8" Tube X 3/8" Barb
- Three (3) 3/8" Tube X 1/2" Barb
- Three (3) 145 Tab Clamps
- Three (3) 185 Tab Clamps
- One (1) 3 Stem Two way Splitter



POWER PACK

RATED

AMP Load

Air-Cooled	115 Volt, 35.0 amp	21.10 amps
Water-Cooled	115 Volt, 35.0 amp	19.70 amps
Air-Cooled	208/230 Volt, 15.0 amp	11.65 amps
Water-Cooled	208/230 Volt, 15.0 amp	10.95 amps
Air-Cooled	220/240 Volt, 15.0 amp	12.32 amps
Water-Cooled	220/240 Volt, 15.0 amp	11.58 amps

VENTILATION AIR-COOLED UNITS

Heat of Rejection 8,000 BTU/Hour.
 Install in well ventilated area with ambient not to exceed 85°F.

SHIPPING INFO

Shipping Weight 180 lbs. / 3.6 cu. ft.



PERFECTION Equipment, Inc.

4259 Lee Avenue, Gurnee, Illinois 60031, Phone: 847-244-7200, Fax: 847-244-7205, Toll Free: 800-356-6301

