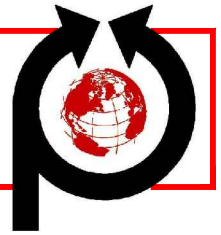


BAG-IN-BOX SYRUP RACKS

PERFECTION



Perfection Equipment, Inc.
Perfecta Stainless Division



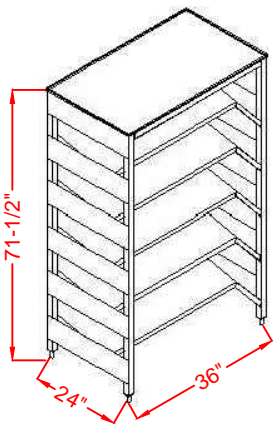
FEATURES

- Meets all applicable N.S.F. requirements
- Long lasting 16 guage Steel Construction
- Galvanized Bag-In-Box Shelves sloped for easy removal of product
- Galvanized top shelf to accomodate beverage system
- Upright posts and shelf supports finished in No-Mar Polycoat
- Side mounting panels for Bag-In-Box pumps
- Adjustable stainless steel feet

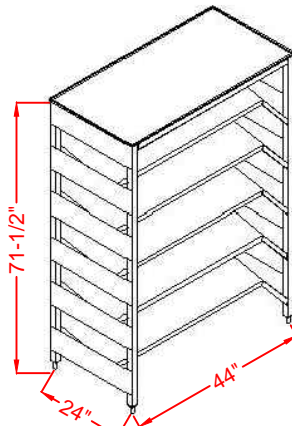
(Assembly required)

OPTIONS

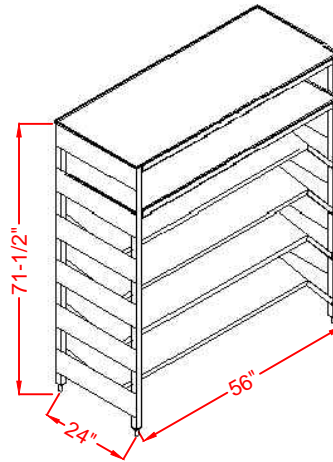
- Stainless steel Bag-In-Box shelves
- Stainless steel top shelf



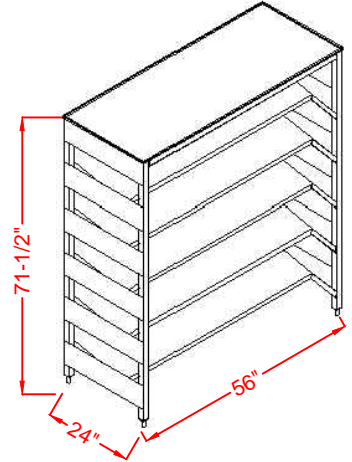
MODEL
PE-10-BIB-TS
Capacity (10)
Bag-In-Box cartons



MODEL
PE-15-BIB-TS
Capacity (15)
Bag-In-Box cartons



MODEL
PE-16-BIB-2TS
Capacity (16)
Bag-In-Box cartons
Additional top shelf for
air compressor



MODEL
PE-20-BIB-TS
Capacity (20)
Bag-In-Box cartons

SERVICE AVAILABLE FROM NATIONAL NETWORK

- Service Agencies Established and Trained
- Service Agencies Available where You need them and when You want them



PERFECTION Equipment, Inc.

4259 Lee Avenue, Gurnee, Illinois 60031, Phone: 847-244-7200, Fax: 847-244-7205, Toll Free: 800-356-6301
Website: www.perfectequip.com Mail to: sales@perfectequip.com

