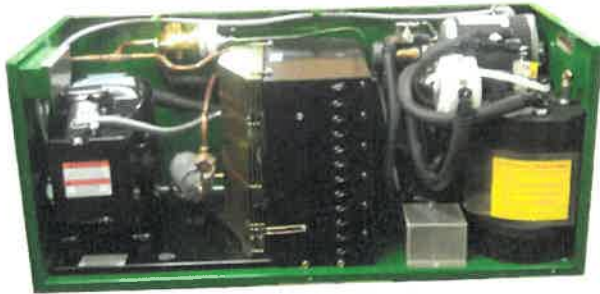


**MODEL GR-4F REMOTE
REFRIGERATED POST MIX
SODA / BEVERAGE SYSTEM**

PERFECTION



Perfection Equipment, Inc.
Perfecta Stainless Division



CONSTANT TEMPERATURE

- No Differential
- Stable Soda Conditions . . . no rise and fall in Soda Temperature
- Regulation of Temperature (±) 1/8°F

REFRIGERATION SYSTEM

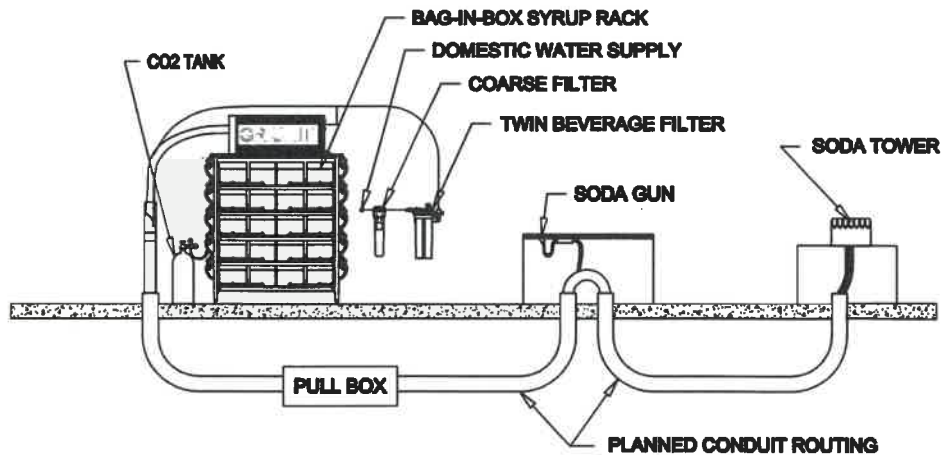
Includes a 3/4 horsepower continuous running compressor. An externally equalized thermostatic expansion valve (TXV) controls the flow of liquid refrigerant into the evaporator. A hot gas bypass valve (HGB) controls the refrigerant and adjusts the unit's horsepower to the load.

FEATURES

- One hundred (100) gallon per hour, stainless steel, dual purpose pump for make-up water and for circulating soda water.
- Capacity: (3.5) twelve ounce drinks per minute, or four hundred twenty (210), twelve ounce drinks per hour under 40°F, with 75°F syrup, 75°F in-coming water and 75°F ambient.
- Refrigerant R-134a.
- Instantaneous recovery.
- One (1), one (1) gallon, instantaneous fill, single-level, stainless steel carbonator tank.
- Water inlet check valve.
- 3/4 HP hermetically sealed refrigeration system utilized for the cooler / carbonator.
- Choice of air-cooled or water-cooled.

**SERVICE AVAILABLE FROM
NATIONAL NETWORK**

- Service agencies established and trained
- Service agencies available where you need them and when you want them



SAMPLE SODA INSTALLATION



PERFECTION Equipment, Inc.

4259 Lee Avenue, Gurnee, Illinois 60031, Phone: 847-244-7200, Fax: 847-244-7205, Toll Free: 800-356-6301
Website: www.perfectequip.com Mail to: sales@perfectequip.com



**MODEL GR-4F REMOTE
REFRIGERATED POST MIX
SODA / BEVERAGE SYSTEM**

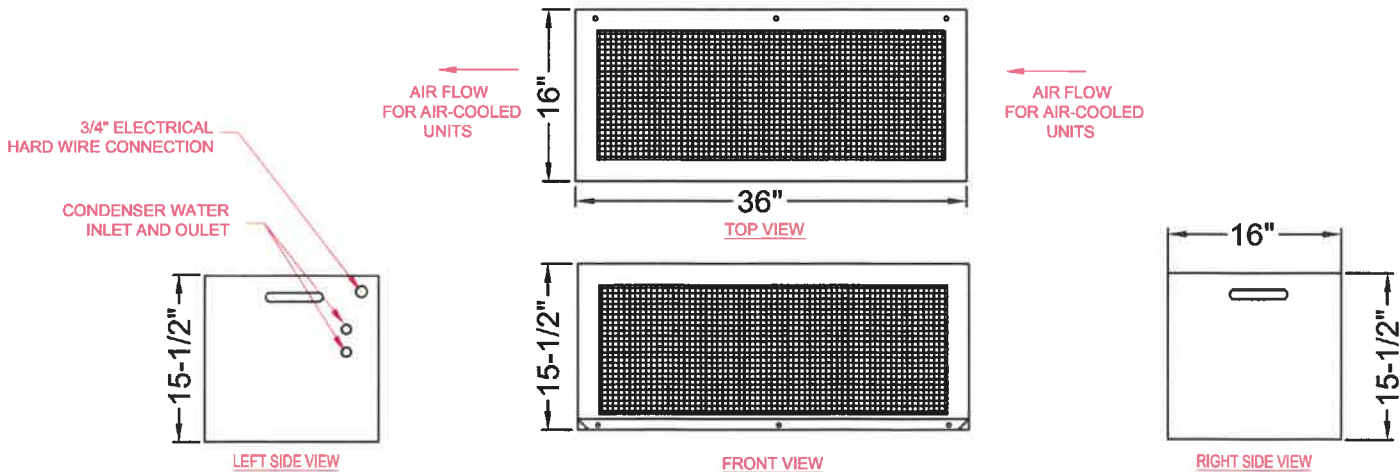
PERFECTION



Perfection Equipment, Inc.
Perfecta Stainless Division

**MODEL GR-4F AVAILABLE
IN AIR-COOLED OR WATER-COOLED
115V OR 208/230V**

SPECIFICATIONS					
PLUMBING / WATER-COOLED UNIT(S): THE VALVED SUPPLY AND RETURN LINES FROM THE COOLING SYSTEM THAT ARE TO BE PROVIDED BY OTHERS NEED TO CONFORM TO THE FOLLOWING FOR EACH UNIT(S):					
POTABLE WATER CONNECTION ON HIGH FLOW FILTER ASSEMBLY	3/4" FPT				
SUPPLY PRESSURES	MINIMUM 45 PSI		MAXIMUM 125 PSI		
FLOW RATE @ < 100°F	MINIMUM 2 GPM		MAXIMUM 5 GPM		
UNIT CONNECTIONS FOR COOLING SYSTEM	3/8" FPT INLET		3/8" FPT OUTLET		
SUPPLY PRESSURES	MINIMUM 20 PSI		MAXIMUM 150 PSI		
FLOW RATES @ 75°F	IDLE LOAD 0.33 GPM		FULL LOAD 0.75 GPM		
PRESSURE DROP	IDLE LOAD 0.01 PSIG		FULL LOAD 0.03 PSIG		
VENTILATION / AIR-COOLED UNIT(S): REQUIRED VENTILATION PROVIDED BY OTHERS NEEDS TO ENSURE THAT THE TEMPERATURE WHERE THE UNIT(S) ARE LOCATED DOES NOT EXCEED 85°F . SIZE VENTILATION SYSTEM FOR EACH UNIT(S) BASED ON BTU'S FOR THE MODEL BELOW:					
3/4 H.P. GR-4	CHILLED WATER CARBONATOR		HEAT OF REJECTION 9926 BTU / HR		
ELECTRICAL: DEDICATED CIRCUIT(S) FOR EACH UNIT(S) TO BE PROVIDED BY OTHERS BASED ON THE MODEL BELOW:					
3/4 H.P. GR-4	115V	AIR- COOLED	60 HZ, SINGLE PHSE 35.0 AMP	RLA 11.5	MCA 19.6
3/4 H.P. GR-4	115V	WATER- COOLED	60 HZ, SINGLE PHSE 35.0 AMP	RLA 13.0	MCA 21.9
3/4 H.P. GR-4	208 / 230V	AIR- COOLED	60 HZ, SINGLE PHSE 15.0 AMP	RLA 6.4	MCA 11.5
3/4 H.P. GR-4	208 / 230V	WATER- COOLED	60 HZ, SINGLE PHSE 15.0 AMP	RLA 7.0	MCA 11.6
SHIPPING DIMENSIONS: 37" X 17" X 18"					
SHIPPING WEIGHT: 160 lbs					



PERFECTION Equipment, Inc.

4259 Lee Avenue, Gurnee, Illinois 60031, Phone: 847-244-7200, Fax: 847-244-7205, Toll Free: 800-356-6301
Website: www.perfectequip.com Mail to: sales@perfectequip.com

