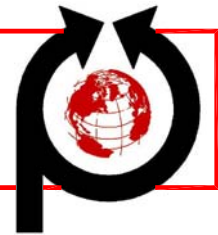


MOBILE CONDIMENT CART

PERFECTION



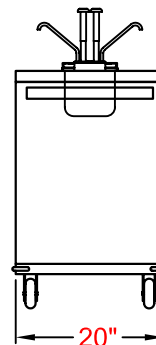
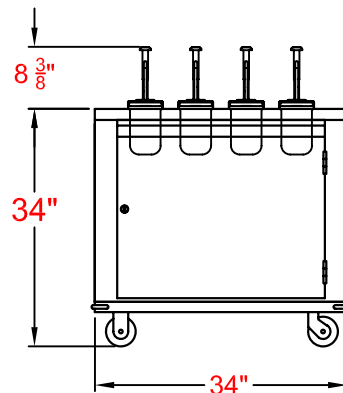
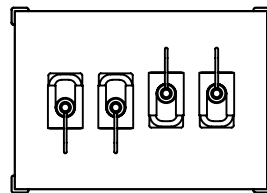
MODEL# UC4P4HP-CT

Perfection Equipment, Inc.
Perfecta Stainless Division



FEATURES

- (4) DROP IN HAND PUMP DISPENSERS WITH PRODUCT LABELS.
- 2 OR 3 QUART PRODUCT CAPACITY FOR EACH HAND PUMP (REFILLABLE).
- TWO LOCKING CASTERS & TWO FIXED CASTERS
- ALL STAINLESS STEEL CONSTRUCTION



SERVICE AVAILABLE FROM OUR NATIONAL NETWORK



PERFECTION Equipment, Inc.

4259 Lee Avenue, Gurnee, Illinois 60031 • Phone: 847-244-7200 • Fax: 847-244-7205 • Toll Free: 800-356-6301
www.perfectequip.com • info@perfectequip.com