

EQUIPMENT WALL BRACKET

PERFECTION



Perfection Equipment, Inc.
Perfecta Stainless Division

FEATURES

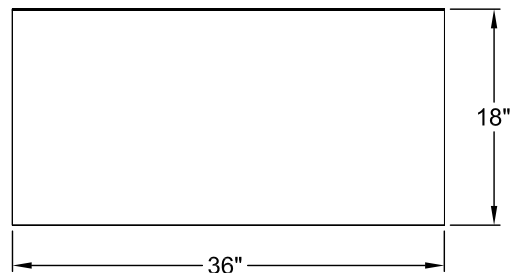
- 16 Ga. Stainless Steel Shelf.
- 14 Ga. Stainless Steel Gussets.
- Corners Welded, Ground and Polished.

INSTALLATION NOTE

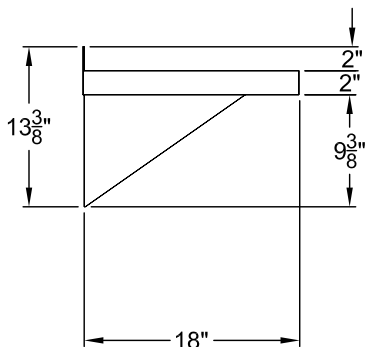
- General Contractor to Provide Sufficient Wall Backing to Accommodate 250 Pounds..



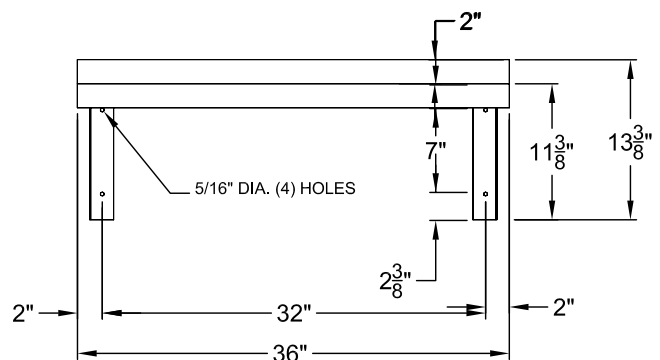
Shown Model: PE-34WB



Plan



Side



Front

Model: PE-34WB



PERFECTION Equipment, Inc.

4259 Lee Avenue, Gurnee, Illinois 60031, Phone: 847-244-7200, Fax: 847-244-7205, Toll Free: 800-356-6301
Web Site: www.perfectequip.com, E-Mail: info@perfectequip.com