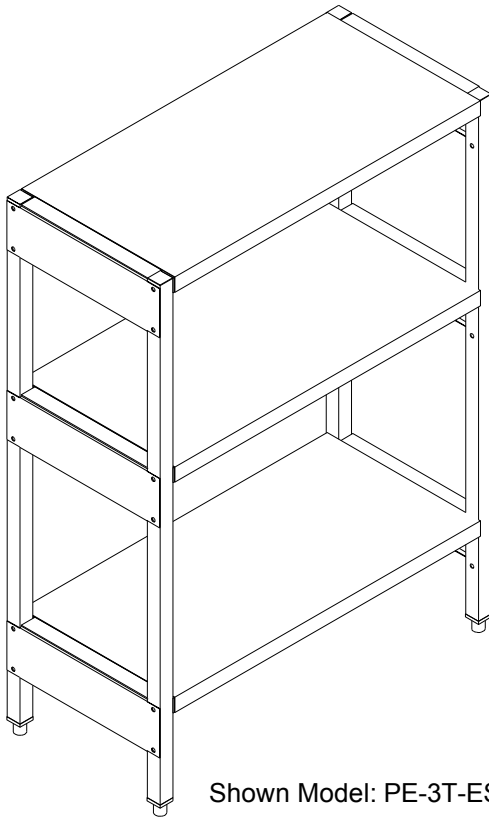


HEAVY DUTY EQUIPMENT STANDS

PERFECTION



Perfection Equipment, Inc.
Perfecta Stainless Division



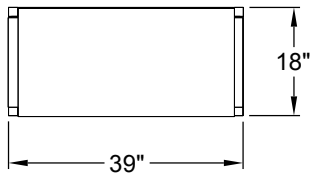
Shown Model: PE-3T-ES

FEATURES

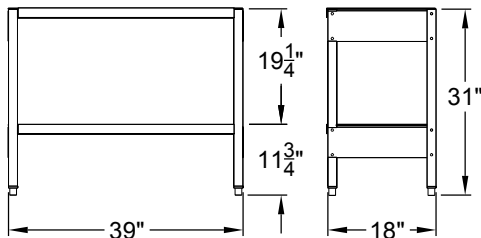
- Uprights and Shelf Supports Finished in Black, Baked Epoxy Finish.
- Shelf Supports of 1-1/2" x 1-1/2" x 1/8" Welded Carbon Steel Angle Iron.
- Uprights 1-1/2" sq. 16 ga. Tubing.
- 4 - Adjustable Stainless Steel Bullet Feet.
- Shelves and Side Panels Constructed of Galvanized Steel.
- Units Shipped Knocked-Down-Flat.

OPTIONS

- Shelves and Side Panels Constructed of Stainless Steel.



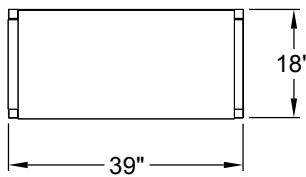
Plan



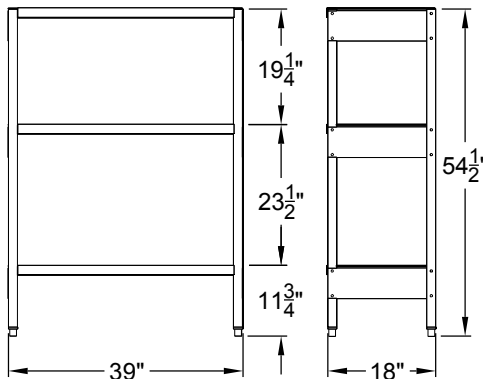
Front

Side

Model: PE-2T-ES



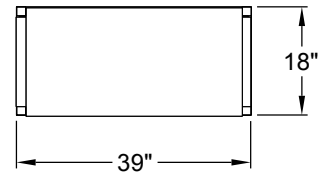
Plan



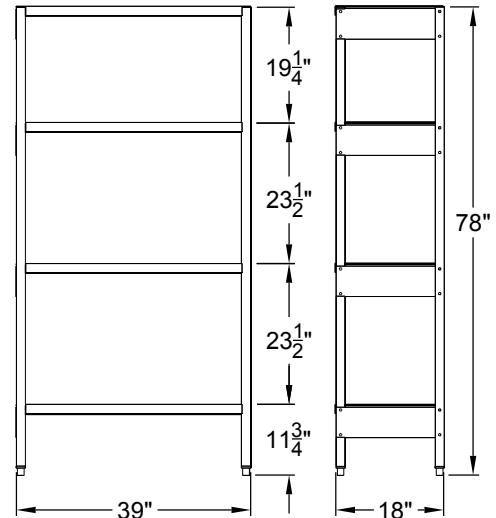
Front

Side

Model: PE-3T-ES



Plan



Front

Side

Model: PE-4T-ES



PERFECTION Equipment, Inc.

4259 Lee Avenue, Gurnee, Illinois 60031, Phone: 847-244-7200, Fax: 847-244-7205, Toll Free: 800-356-6301

Web Site: www.perfectequip.com, E-Mail: info@perfectequip.com