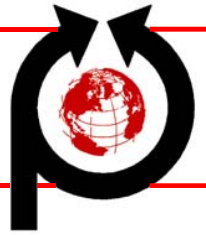


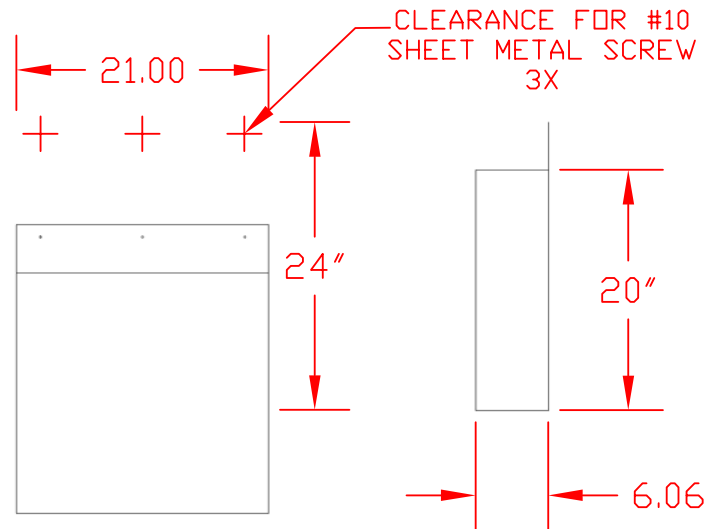
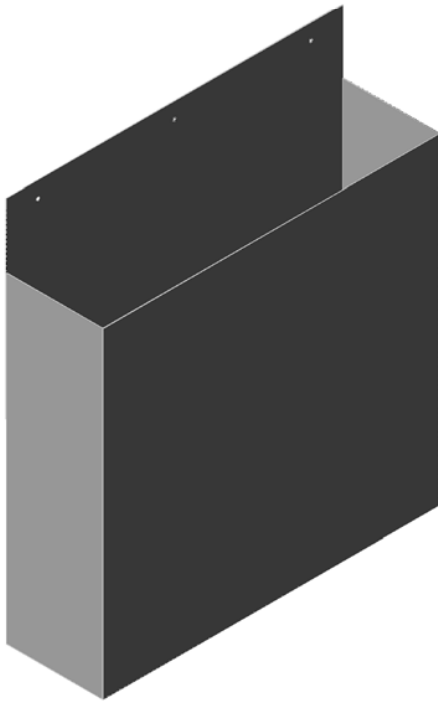
CUP HOLDER

PERFECTION



Perfection Equipment, Inc.
Perfecta Stainless Division

PART #:
PE-PCH-21



- DESIGNED TO ATTACH TO THE FRONT OF UNDERBAR EQUIPMENT WITH SHEET METAL SCREWS.
- CUSTOM SIZING AVAILABLE TO ACCOMMODATE CUSTOMER REQUIREMENTS.
- MADE OF 22GA STAINLESS STEEL



PERFECTION Equipment, Inc.

4259 Lee Avenue, Gurnee, Illinois 60031, Phone: 847-244-7200, Fax: 847-244-7205, Toll Free: 800-356-6301
Web Site: www.perfectequip.com, E-Mail: info@perfectequip.com