

# 8" SURFACE MOUNT DRIP TRAY

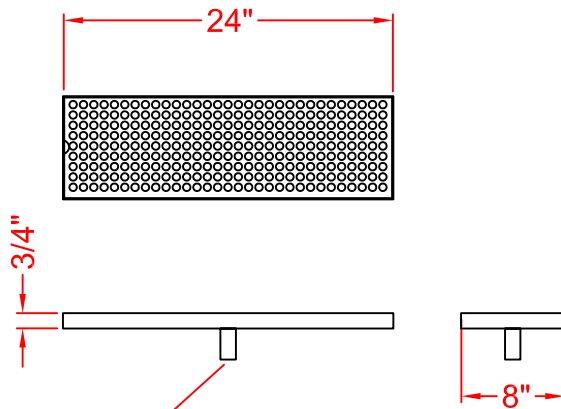
# PERFECTION



Perfection Equipment, Inc.  
Perfecta Stainless Division



Satin Finish Stainless  
Drip Tray  
(standard)



AVAILABLE 1/2"  
DRAIN

## DRIP TRAY FEATURES

- ALL STAINLESS STEEL CONSTRUCTION
- CUSTOM SIZES
- SURFACE OR FLUSH MOUNT
- SATIN STAINLESS, POLISHED STAINLESS OR POLISHED BRASS (OUTER TRAY ONLY) FINISH
- AVAILABLE WITH OR WITHOUT DRAIN



PERFECTION Equipment, Inc.

4259 Lee Avenue, Gurnee, Illinois 60031, Phone: 847-244-7200, Fax: 847-244-7205, Toll Free: 800-356-6301  
Web Site: [www.perfectequip.com](http://www.perfectequip.com), E-Mail: [info@perfectequip.com](mailto:info@perfectequip.com)