

# MIAMI BEER TOWERS

# PERFECTION



Perfection Equipment, Inc.  
Perfecta Stainless Division



Model Number	Finish	Faucets
MBT-3-BR	Brass	3
MBT-3-CH	Stainless Steel	3
MBT-4-SS	Brass	4
MNT-4-BR	Stainless Steel	4

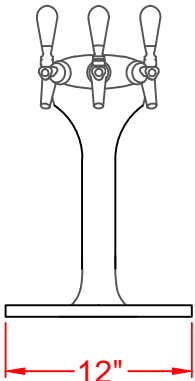
\*Powder coating and PVD finishes available

## STANDARD FEATURES

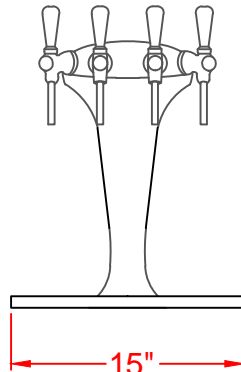
- Constructed of 304 stainless steel
- No. 4 finish
- Fabricated for use with remote glycol, air-cooled or direct draw system.
- BPA and PVC free anti-microbial product lines
- Chrome plated U.S. style faucet with brass body and shank.  
(handles not included)
- Includes all mounting hardware

## OPTIONS

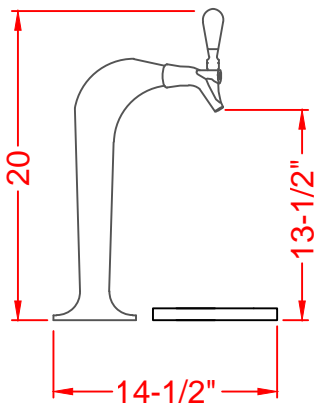
- 304 Stainless Steel faucets and shanks for beer, wine, water cocktails and liquor dispensing applications
- U.S. or European style faucets with or without flow controls
- Faucet handles and faucet locks
- Illuminated tap markers
- Powder coated finishes available
- Custom sizes available: Submit your own design or have us design one around your needs



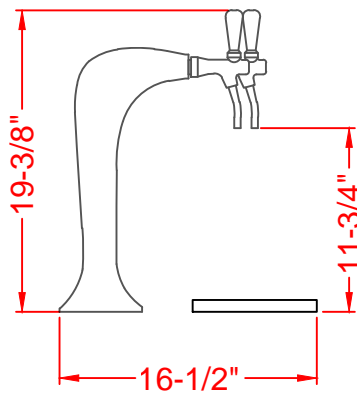
**MBT-3 FRONT VIEW**



**MBT-4 FRONT VIEW**



**MBT-3 SIDE VIEW**



**MBT-4 SIDE VIEW**

## RECOMMENDED DRIP TRAY

Standard - 12" x 8" x 3/4" Surface Mount. (3) faucet  
Standard - 15" x 8" x 3/4" Surface Mount. (4) faucet



Shown Polished Stainless Steel Drip Tray  
(Standard)



**PERFECTION Equipment, Inc.**

4259 Lee Avenue, Gurnee, Illinois 60031, Phone: 847-244-7200, Fax: 847-244-7205, Toll Free: 800-356-6301  
Website: [www.perfectequip.com](http://www.perfectequip.com) Mail to: [sales@perfectequip.com](mailto:sales@perfectequip.com)

