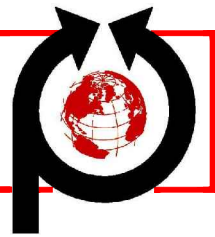


BRIGITTE BEER TOWERS

PERFECTION



Perfection Equipment, Inc.
Perfecta Stainless Division



Model Number	Finish	Faucets
PE-3BRIGITTE-BR	Brass	3
PE-3BRIGITTE-SS	Stainless Steel	3
PE-5BRIGITTE-BR	Brass	5
PE-5BRIGITTE-SS	Stainless Steel	5

*Powder coating and PVD finishes available

STANDARD FEATURES

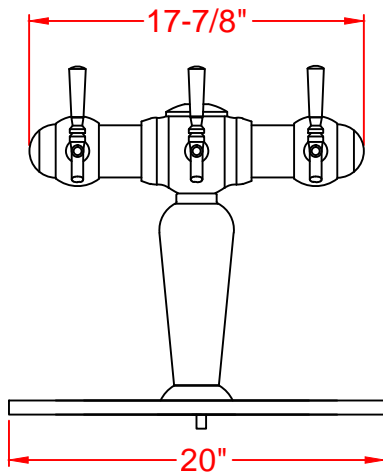
- Constructed of 304 stainless steel
- No. 4 finish
- Fabricated for use with remote glycol, air-cooled or direct draw system.
- BPA and PVC free anti-microbial product lines
- Chrome plated U.S. style faucet with brass body and shank.
(handles not included)
- Includes all mounting hardware

OPTIONS

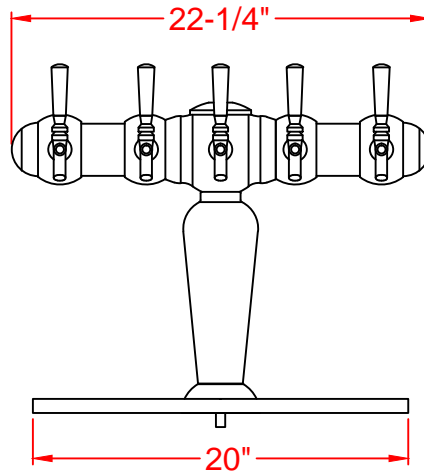
- 304 Stainless Steel faucets and shanks for beer, wine, water cocktails and liquor dispensing applications
- U.S. or European style faucets with or without flow controls
- Faucet handles and faucet locks
- Illuminated tap markers
- Powder coated finishes available
- Custom sizes available: Submit your own design or have us design one around your needs

RECOMMENDED DRIP TRAY

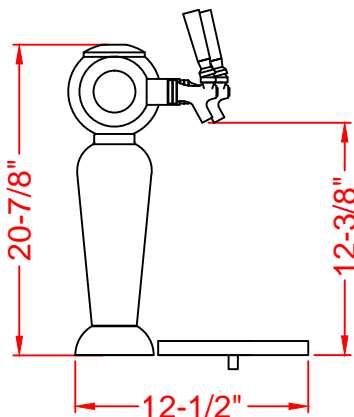
Standard - 20" x 8" x 3/4" Surface Mount.



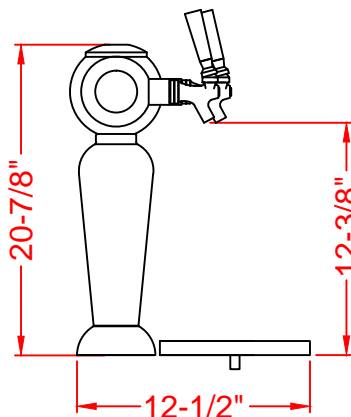
PE-3BRIGITTE FRONT VIEW



PE-5BRIGITTE FRONT VIEW



PE-3BRIGITTE SIDE VIEW



PE-5BRIGITTE SIDE VIEW



PERFECTION Equipment, Inc.

4259 Lee Avenue, Gurnee, Illinois 60031, Phone: 847-244-7200, Fax: 847-244-7205, Toll Free: 800-356-6301
Website: www.perfectequip.com E-mail: sales@perfectequip.com

