

# MODEL VH-2 GLYCOL CIRCULATOR

# PERFECTION



**Perfection Equipment, Inc.**  
**Perfecta Stainless Division**



## LINE RUNS

- Up to 250 feet
- Multiple dispensing locations

## CONSTANT RUNNING COMPRESSOR

- Longer compressor life
- Electronic control removes the necessity seasonal adjustments and prevents freeze ups
- Self-Starting after power failure

## REFRIGERATION SYSTEM

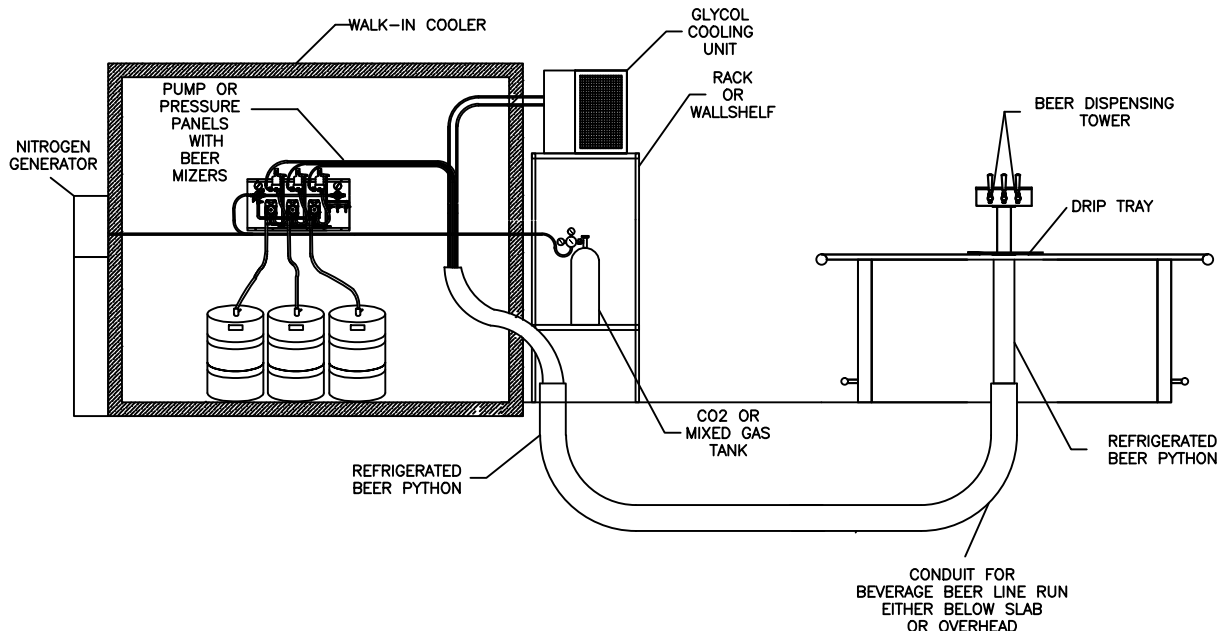
Includes a 1/2 horsepower continuous running compressor. An externally equalized thermostatic expansion valve (TXV) controls the flow of liquid refrigerant into the evaporator. A hot gas bypass valve (HGB) controls the refrigerant affect and adjusts the unit's horsepower to the load.

## COOLANT SYSTEM

The Coolant System consists of a water/glycol mixture of 2/1 with a reservoir tank incorporated within the unit to hold a small percentage of coolant. A 70 GPH brass pump draws the coolant from the bottom of the tank and propels it into the chiller coil. The coolant exits the coil and goes directly to the line run. Upon return from the line run the coolant goes directly to the reservoir tank completing the cycle.

## SERVICE AND INSTALLATION

Available from a national network of trained and authorized technicians.



**PERFECTION Equipment, Inc.**

4259 Lee Avenue, Gurnee, Illinois 60031, Phone: 847-244-7200, Fax: 847-244-7205, Toll Free: 800-356-6301  
Website: [www.perfectequip.com](http://www.perfectequip.com) Mail to: [sales@perfectequip.com](mailto:sales@perfectequip.com)



**MODEL VH-2**  
**GLYCOL CIRCULATOR**

**PERFECTION**



Perfection Equipment, Inc.  
Perfecta Stainless Division

**MODEL VH-2**  
**AVAILABLE IN AIR-COOLED**  
**115V**

**SPECIFICATIONS**

**VENTILATION / AIR-COOLED UNIT(S):** REQUIRED VENTILATION PROVIDED BY OTHERS NEEDS TO ENSURE THAT THE TEMPERATURE WHERE THE UNIT(S) ARE LOCATED **DOES NOT EXCEED 85°F**. SIZE VENTILATION SYSTEM FOR EACH UNIT(S) BASED ON BTU'S FOR THE MODEL BELOW:

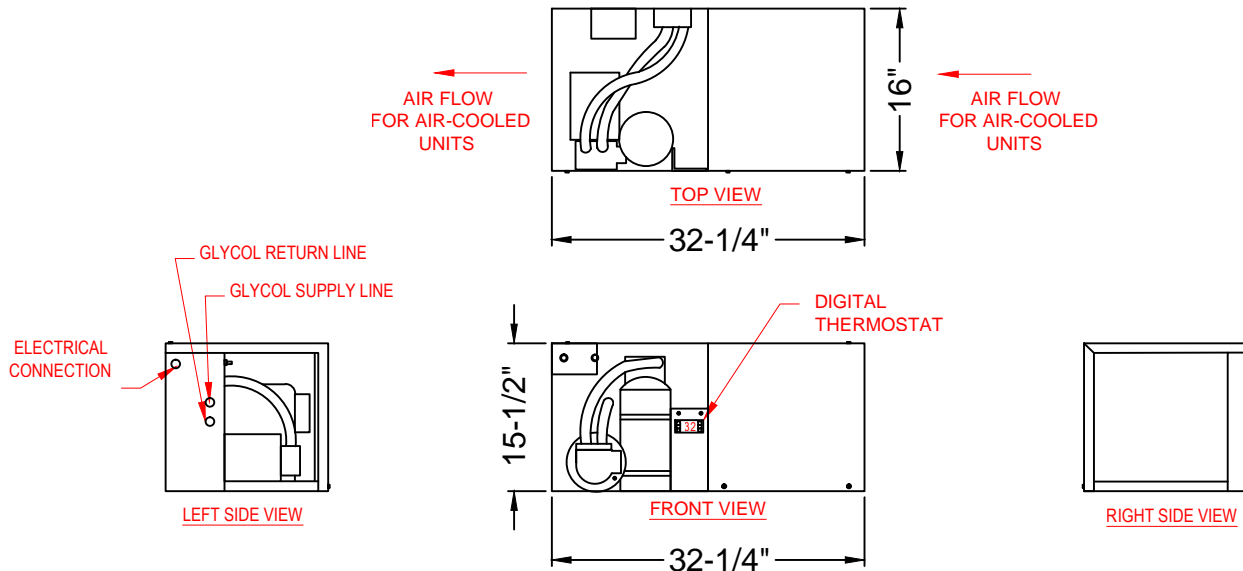
1/2 H.P. VH-2	GLYCOL CHILLER	HEAT OF REJECTION 6704 BTU / HR
---------------	----------------	---------------------------------

**ELECTRICAL:** DEDICATED CIRCUIT(S) FOR EACH UNIT (S) TO BE PROVIDED BY OTHERS BASED ON THE MODEL BELOW:

1/2 H.P. VH-2	115V	AIR- COOLED	60 HZ, SINGLE PHSE 25.0 AMP	RLA 10.1	MCA 18.6
---------------	------	-------------	-----------------------------	----------	----------

**SHIPPING DIMENSIONS:** 34" X 19" X 18"

**SHIPPING WEIGHT:** 120 lbs.



**PERFECTION Equipment, Inc.**

4259 Lee Avenue, Gurnee, Illinois 60031, Phone: 847-244-7200, Fax: 847-244-7205, Toll Free: 800-356-6301  
Website: [www.perfectequip.com](http://www.perfectequip.com) Mail to: [sales@perfectequip.com](mailto:sales@perfectequip.com)

