

**WALLMOUNT DIRECT DRAW
DISPENSERS
WITH DRAINER TRAY**

PERFECTION



**Perfection Equipment, Inc.
Perfecta Stainless Division**



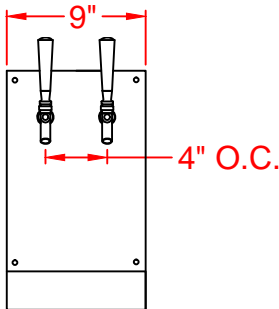
Shown Model: PE-WMDD-4
(handles not included)

STANDARD FEATURES

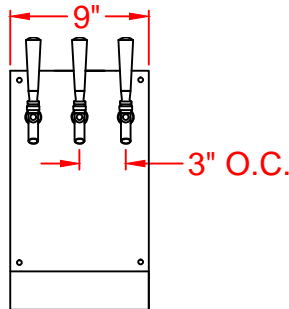
- Constructed of 304 stainless steel
- No. 4 finish
- Fabricated for use with remote glycol, air-cooled or direct draw system.
- BPA and PVC free anti-microbial product lines
- Chrome plated U.S. style faucet with brass body and shank. (handles not included)
- Includes all mounting hardware

OPTIONS

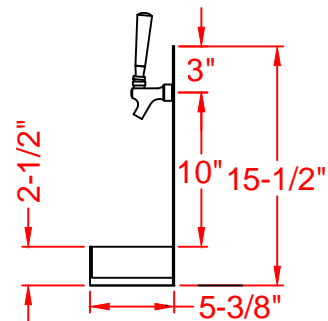
- 304 Stainless Steel faucets and shanks for beer, wine, water cocktails and liquor dispensing applications
- U.S. or European style faucets with or without flow controls
- Faucet handles and faucet locks
- Illuminated tap markers
- Powder coated finishes available
- Custom sizes available: Submit your own design or have us design one around your needs



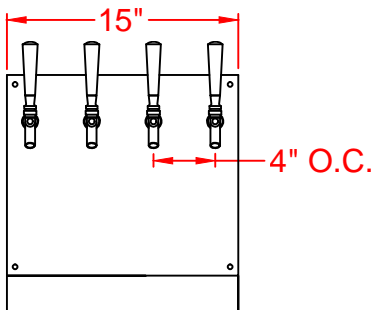
Front
Model: PE-WMDD-2



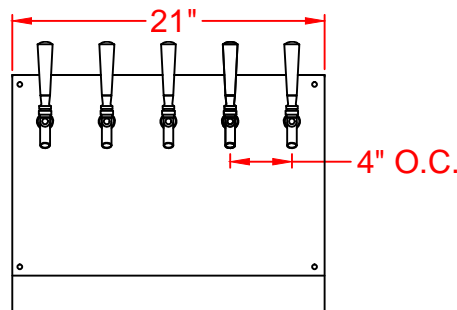
Front
Model: PE-WMDD-3



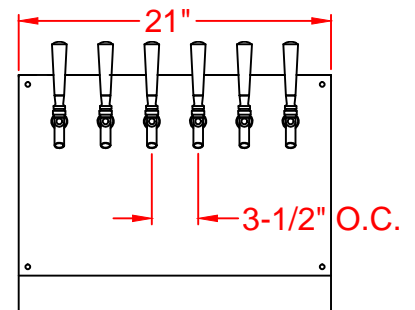
Typical Side
Model: PE-WMDD



Front
Model: PE-WMDD-4



Front
Model: PE-WMDD-5



Front
Model: PE-WMDD-6



PERFECTION Equipment, Inc.

4259 Lee Avenue, Gurnee, Illinois 60031, Phone: 847-244-7200, Fax: 847-244-7205, Toll Free: 800-356-6301
Website: www.perfectequip.com Mail to: sales@perfectequip.com

