

# UNDER BAR DISPENSERS WITH DRAINER TRAY

# PERFECTION



Perfection Equipment, Inc.  
Perfecta Stainless Division



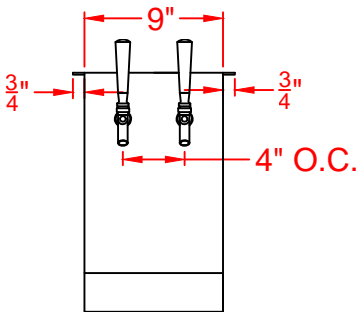
Shown Model: PE-UBD-4  
(handles not included)

## STANDARD FEATURES

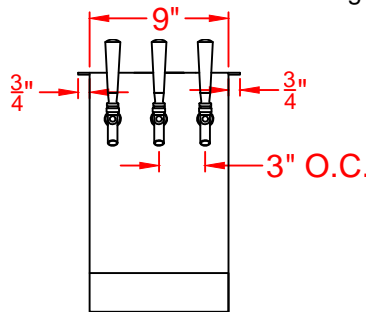
- Constructed of 304 stainless steel
- No. 4 finish
- Fabricated for use with remote glycol, air-cooled or direct draw system.
- BPA and PVC free anti-microbial product lines
- Chrome plated U.S. style faucet with brass body and shank. (handles not included)
- Includes all mounting hardware

## OPTIONS

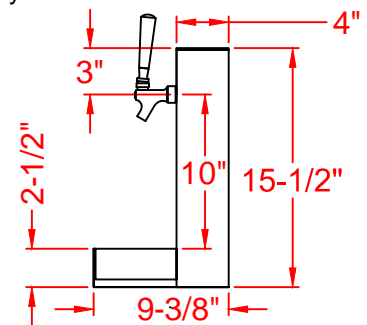
- 304 Stainless Steel faucets and shanks for beer, wine, water cocktails and liquor dispensing applications
- U.S. or European style faucets with or without flow controls
- Faucet handles and faucet locks
- Illuminated tap markers
- Powder coated finishes available
- Custom sizes available: Submit your own design or have us design one around your needs



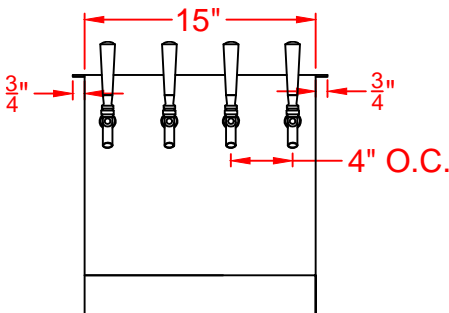
Front  
Model: PE-UBD-2



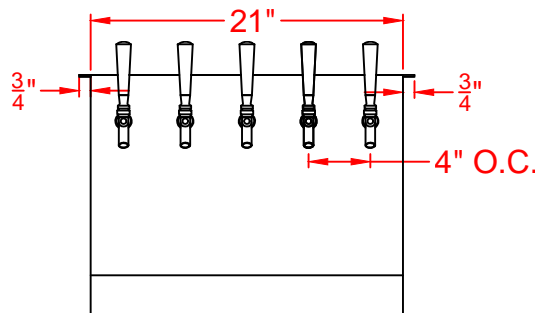
Front  
Model: PE-UBD-3



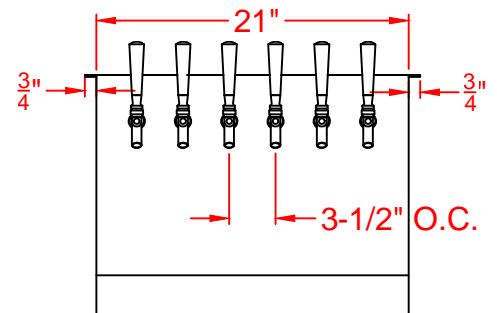
Typical Side  
Model: PE-UBD



Front  
Model: PE-UBD-4



Front  
Model: PE-UBD-5



Front  
Model: PE-UBD-6



PERFECTION Equipment, Inc.

4259 Lee Avenue, Gurnee, Illinois 60031, Phone: 847-244-7200, Fax: 847-244-7205, Toll Free: 800-356-6301  
Website: [www.perfectequip.com](http://www.perfectequip.com) Mail to: [sales@perfectequip.com](mailto:sales@perfectequip.com)

