

DUAL PEDESTAL BEER TOWERS

PERFECTION

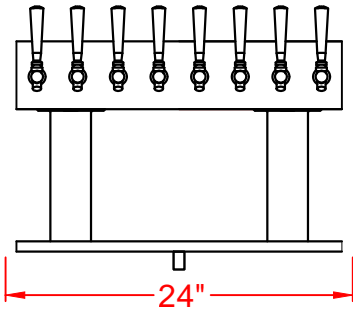


Perfection Equipment, Inc.
Perfecta Stainless Division

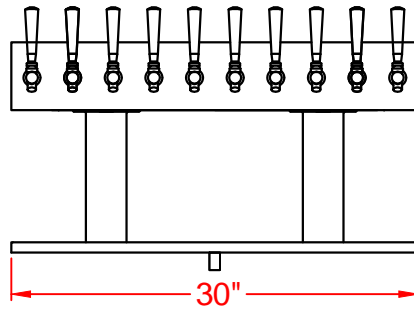


Model Number	Finish	Faucets
PE-DPT-8-BR	Brass	8
PE-DPT-8-CH	Chrome	8
PE-DPT-8-SS	Stainless Steel	8
PE-DPT-10-BR	Brass	10
PE-DPT-10-CH	Chrome	10
PE-DPT-10-SS	Stainless Steel	10
PE-DPT-12-BR	Brass	12
PE-DPT-12-CH	Chrome	12
PE-DPT-12-SS	Stainless Steel	12

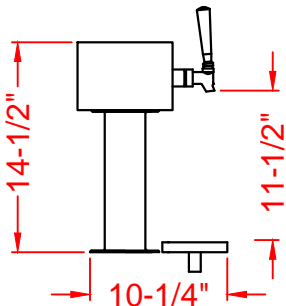
*Powder coating and PVD finishes available



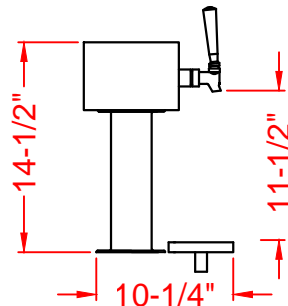
**PE-DPT-8
FRONT VIEW**



**PE-DPT-10 FRONT VIEW
PE-DPT-12 SAME
DIMENSIONS**



**PE-DPT-8
SIDE VIEW**



**PE-DPT-10 SIDE VIEW
PE-DPT-12 SAME
DIMENSIONS**

STANDARD FEATURES

- Constructed of 304 stainless steel
- No. 4 finish
- Fabricated for use with remote glycol, air-cooled or direct draw system.
- BPA and PVC free anti-microbial product lines
- Chrome plated U.S. style faucet with brass body and shank.
(handles not included)
- Includes all mounting hardware

OPTIONS

- 304 Stainless Steel faucets and shanks for beer, wine, water cocktails and liquor dispensing applications
- U.S. or European style faucets with or without flow controls
- Faucet handles and faucet locks
- Illuminated tap markers
- Powder coated finishes available
- Custom sizes available: Submit your own design or have us design one around your needs

RECOMMENDED DRIP TRAY

Standard - 24" x 5" x 3/4" Surface Mount. (8 faucet)
Standard - 30" x 5" x 3/4" Surface Mount. (10-12 faucet)



Shown Stainless Steel Drip Tray
(Standard)



PERFECTION Equipment, Inc.

4259 Lee Avenue, Gurnee, Illinois 60031, Phone: 847-244-7200, Fax: 847-244-7205, Toll Free: 800-356-6301
Website: www.perfectequip.com Mail to: sales@perfectequip.com

