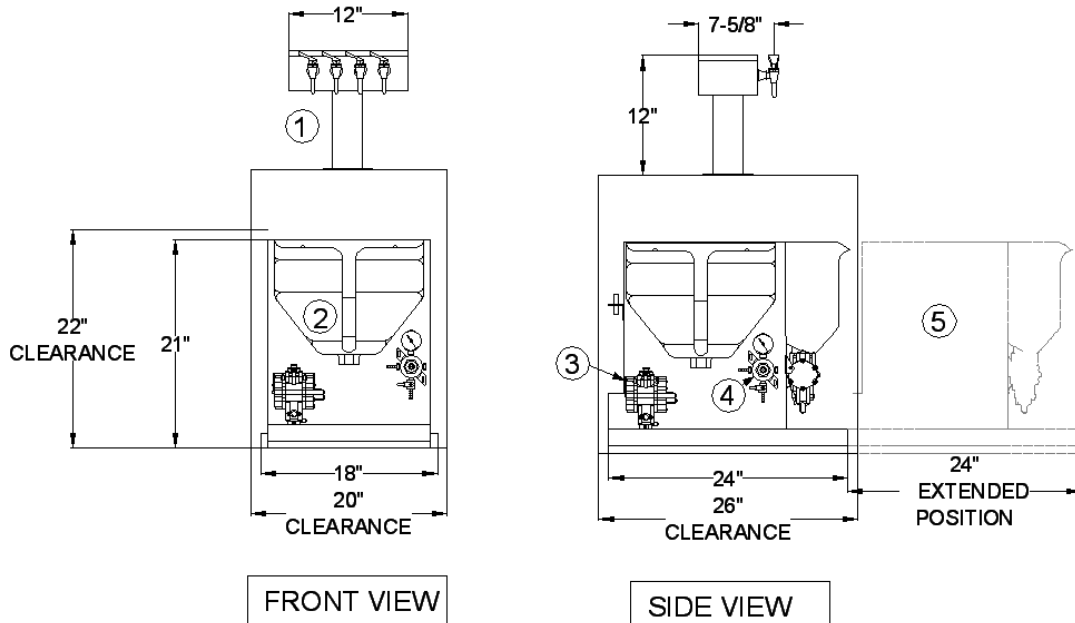


## UNDER – COUNTER CONDIMENT SYSTEM MODEL UC3P1TT

# PERFECTION



Perfection Equipment, Inc.  
Perfecta Stainless Division



### SECURE CRADLES TO CABINET FLOOR

#### NUMBERS REFER TO DRAWING

1. Stainless Steel 'T' Tower Dispenser with (4) Sureshot dispensing faucets (1)
2. Plastic 3-Gallon Product saddle (3)
3. Condiment Pump (3)
4. Low Pressure regulator (3)
5. Outline of Cradle in Extended Position

#### SYSTEM ALSO INCLUDES

Round Product Labels (4)

Bag Connectors (3)

Plastic Saddles, Pumps, Low Pressure Regulators, and Bag Connectors to be Pre-fabricated and mounted on (1) 3-product Stainless Steel slide out cradle with 24" extended slides. System comes complete with all necessary tubing and ancillary components for a complete installation. This includes a **Clean-In-Place** kit.

#### SERVICE AVAILABLE FROM A NATIONAL NETWORK

- Service Agencies Established and Trained
- Service Agencies Available Where You Need Them And When You Want Them



PERFECTION Equipment, Inc.

4259 Lee Avenue, Gurnee, Illinois 60031 • Phone: 847-244-7200 • Fax: 847-244-7205 • Toll Free: 800-356-6301

Website: [www.PerfectEquip.com](http://www.PerfectEquip.com) Email: [Sales@PerfectEquip.com](mailto:Sales@PerfectEquip.com)

Rev. 09/06/2019

