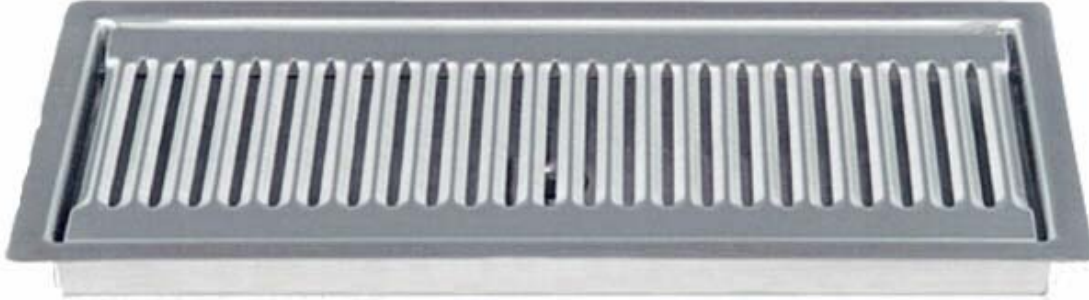


CUSTOM FLUSH MOUNT DRIP TRAY

PERFECTION

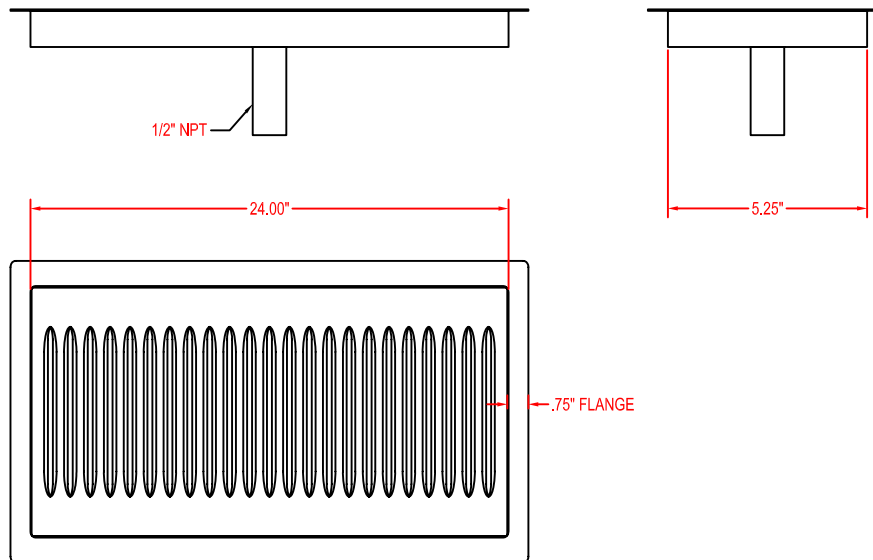


Perfection Equipment, Inc.
Perfecta Stainless Division



DRIP TRAY FEATURES

- ALL STAINLESS STEEL CONSTRUCTION
- CUSTOM SIZES
- FLUSH MOUNT
- SATIN STAINLESS, POLISHED STAINLESS (OUTER TRAY ONLY) FINISH



PERFECTION Equipment, Inc.

4259 Lee Avenue, Gurnee, Illinois 60031, Phone: 847-244-7200, Fax: 847-244-7205, Toll Free: 800-356-6301

Website: www.perfectequip.com Email: sales@perfectequip.com

Rev. 09/06/2019