

WALLMOUNT DISPENSERS WITH DRAINER TRAY

PERFECTION



Perfection Equipment, Inc.
Perfecta Stainless Division



Shown Model: PE-WM-4
(handles not included)

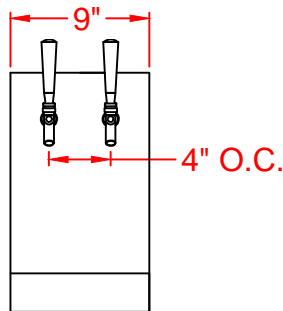
All models available with stainless steel
cabinet base and feet

STANDARD FEATURES

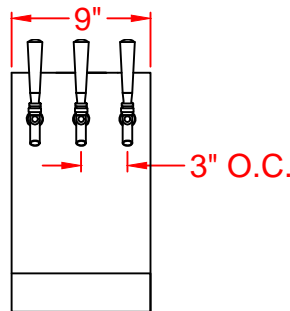
- Constructed of 304 stainless steel
- No. 4 finish
- Fabricated for use with remote glycol, air-cooled or direct draw system.
- BPA and PVC free anti-microbial product lines
- Chrome plated U.S. style faucet with brass body and shank. (handles not included)
- Includes all mounting hardware

OPTIONS

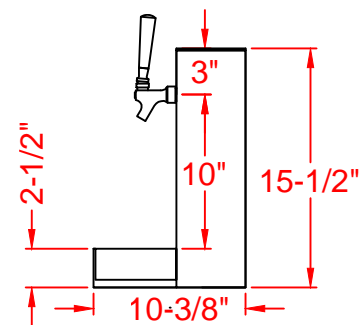
- 304 Stainless Steel faucets and shanks for beer, wine, water cocktails and liquor dispensing applications
- U.S. or European style faucets with or without flow controls
- Faucet handles and faucet locks
- Illuminated tap markers
- Powder coated finishes available
- Custom sizes available: Submit your own design or have us design one around your needs



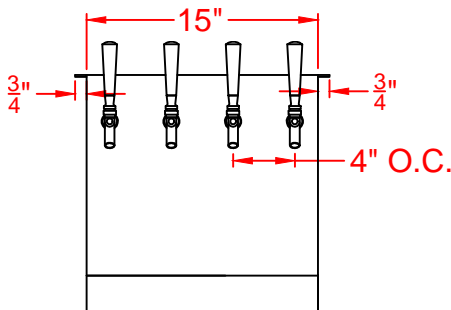
Front
Model: PE-WM-2



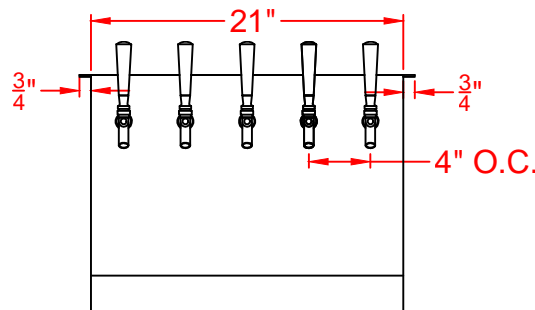
Front
Model: PE-WM-3



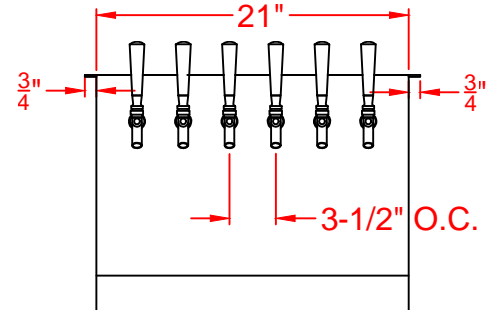
Typical Side
Model: PE-WM



Front
Model: PE-WM-4



Front
Model: PE-WM-5



Front
Model: PE-WM-6



PERFECTION Equipment, Inc.

4259 Lee Avenue, Gurnee, Illinois 60031, Phone: 847-244-7200, Fax: 847-244-7205, Toll Free: 800-356-6301
Website: www.perfectequip.com Mail to: sales@perfectequip.com

Rev. 08/28/19