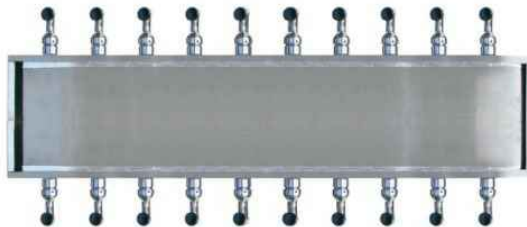


DUAL-SIDED DOUBLE PEDESTAL BEER TOWERS

PERFECTION



Perfection Equipment, Inc.
Perfecta Stainless Division



Model Number	Finish	Faucets
PE-DSDPT-16-BR	Brass	16
PE-DSDPT-16-CH	Chrome	16
PE-DSDPT-16-SS	Stainless Steel	16
PE-DSDPT-20-BR	Brass	20
PE-DSDPT-20-CH	Chrome	20
PE-DSDPT-20-SS	Stainless Steel	20
PE-DSPDT-24-BR	Brass	24
PE-DSPDT-24-CH	Chrome	24
PE-DSDPT-24-SS	Stainless Steel	24

*Powder coating and PVD finishes available

STANDARD FEATURES

- Constructed of 304 stainless steel
- No. 4 finish
- Fabricated for use with remote glycol, air-cooled or direct draw system.
- BPA and PVC free anti-microbial product lines
- Chrome plated U.S. style faucet with brass body and shank.
(handles not included)
- Includes all mounting hardware

OPTIONS

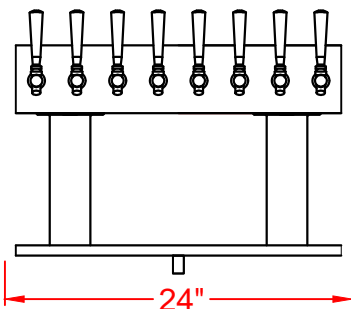
- 304 Stainless Steel faucets and shanks for beer, wine, water cocktails and liquor dispensing applications
- U.S. or European style faucets with or without flow controls
- Faucet handles and faucet locks
- Illuminated tap markers
- Powder coated finishes available
- Custom sizes available: Submit your own design or have us design one around your needs

RECOMMENDED DRIP TRAY

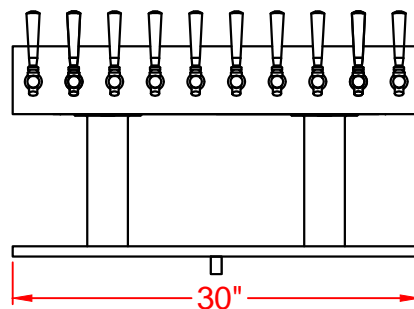
- (2) Standard - 24" x 5" x 3/4" Surface Mount. (12 faucet)
- (2) Standard - 30" x 5" x 3/4" Surface Mount. (20-24 faucet)



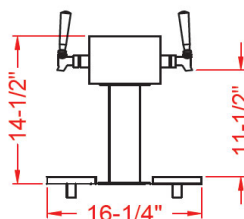
Shown Stainless Steel Drip Tray
(Standard)



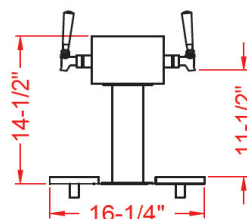
**PE-DSDPT-16
FRONT VIEW**



**PE-DSDPT-20 FRONT VIEW
PE-DSDPT-24 SAME
DIMENSIONS**



**PE-DSDPT-16
SIDE VIEW**



**PE-DSDPT-20 SIDE VIEW
PE-DSDPT-24 SAME
DIMENSIONS**



PERFECTION Equipment, Inc.

4259 Lee Avenue, Gurnee, Illinois 60031, Phone: 847-244-7200, Fax: 847-244-7205, Toll Free: 800-356-6301
Website: www.perfectequip.com Mail to: sales@perfectequip.com

Rev. 08/28/19